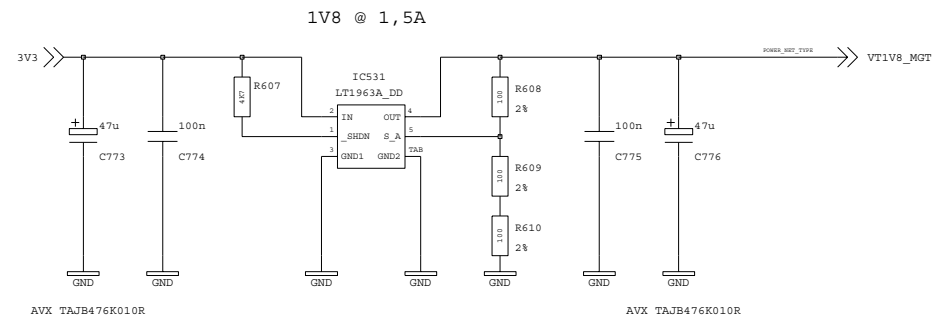
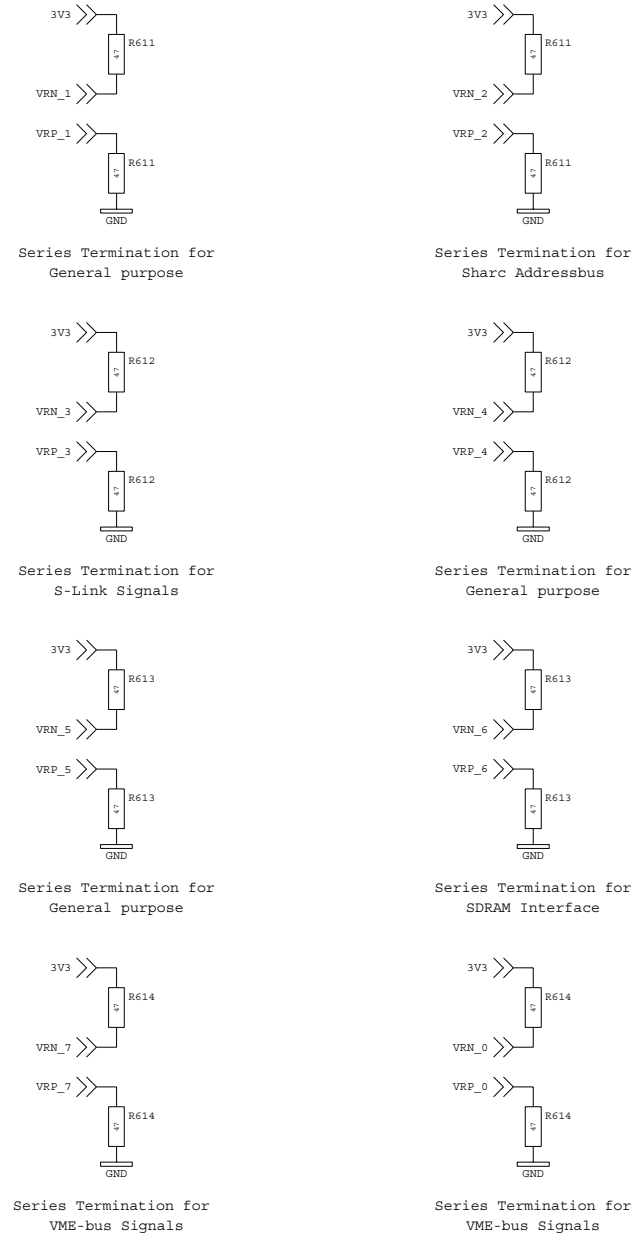
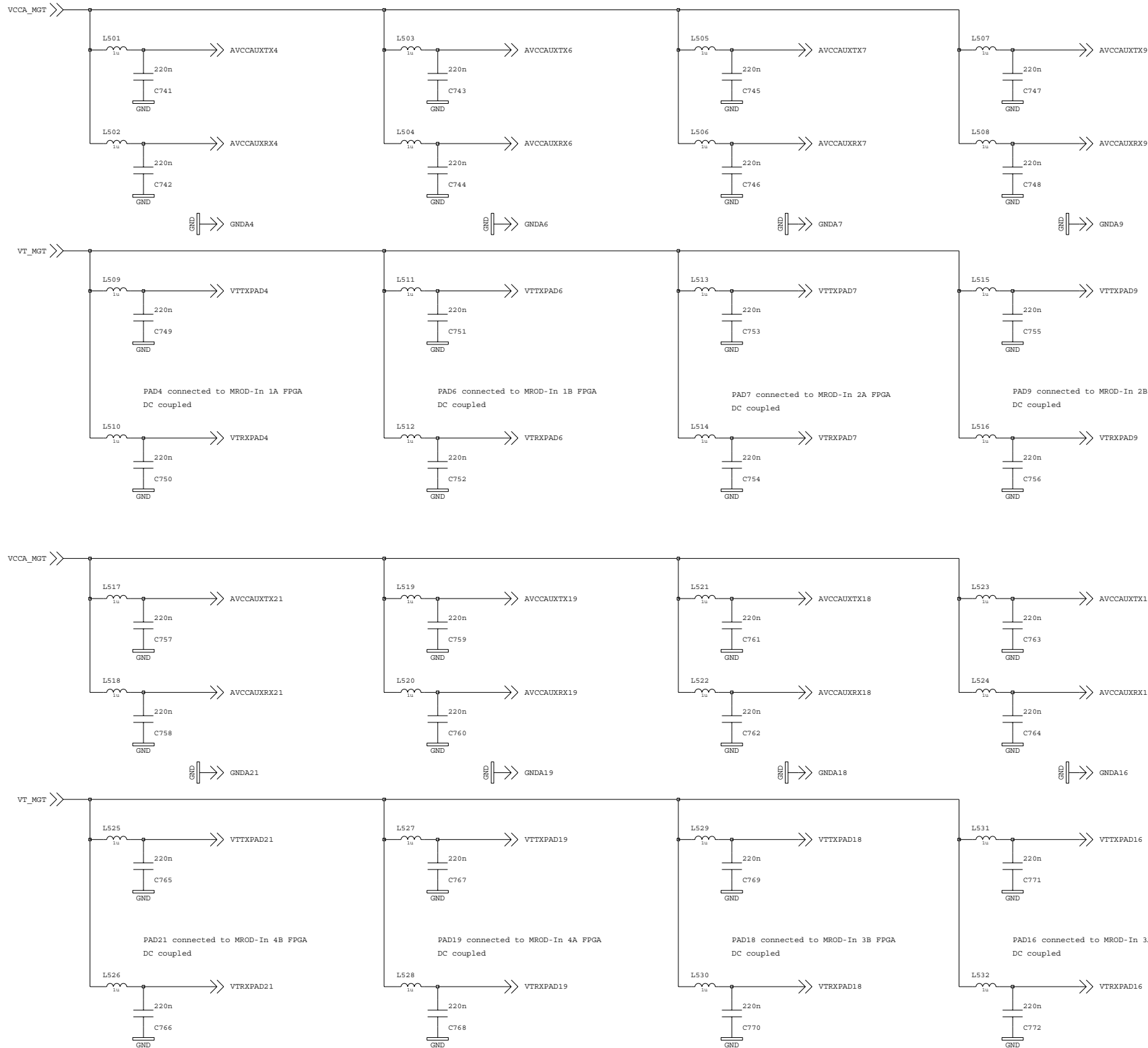


=> MGT Power (estimated 21 + 44 = 65 mA)  
=> MGT Termination (estimated 2 \* 11 mA = 22 mA)



=> MGT RX Termination (estimated 8 \* 11 mA = 88 mA)  
Note: VT1V8\_MGT is common to all MROD-Ins



<b>MROD-Out</b>		Rev	V2	3
		Date	7 Feb 2006	
Outp FPGA MGT Pwr Decoupling, Termination		Time	1:29:37 pm	
Proj:	MROD-X	Proj.No:	38405	
Peter Jansweijer		peterj@nikhef.nl		
<b>NIKHEF</b> © ET-Nikhef Amsterdam		NATIONAAL INSTITUUT VOOR KERN-FYSICA EN HOGE ENERGIE-FYSICA KRUISLAAN 409, 020-592 2000 1098 SJ AMSTERDAM NEDERLAND		
		Size	A3	4 1 4 A
		Dim	420 x 297 mm	
		Page	9	of 19