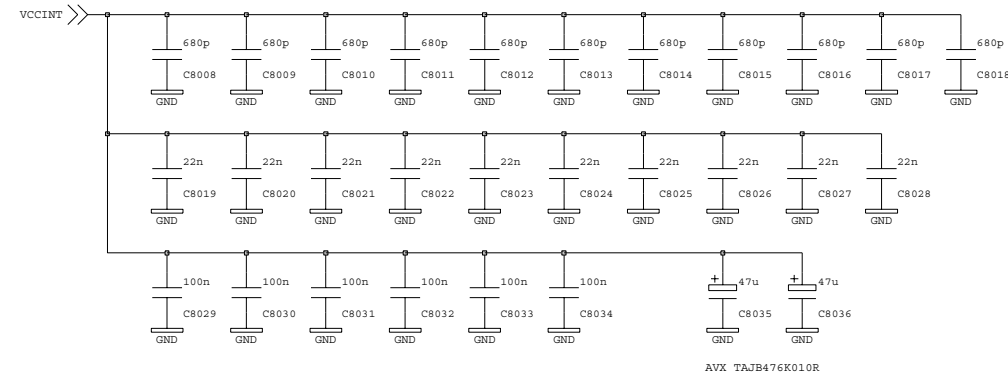
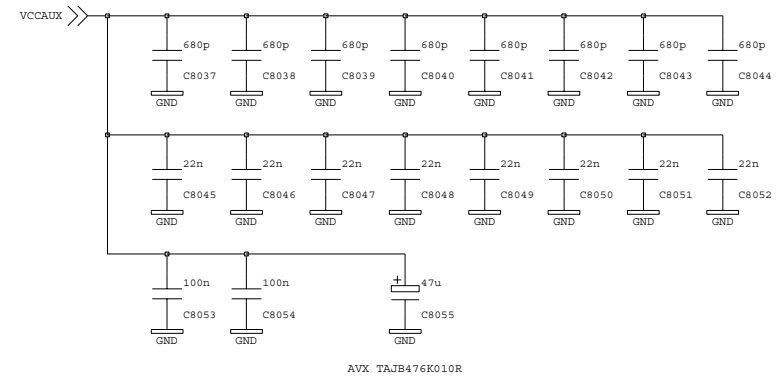


XC2VP7/20 VCCINT Decoupling Capacitors
 Min. Power-On Current XC2VP20
 IccINT = 600 mA

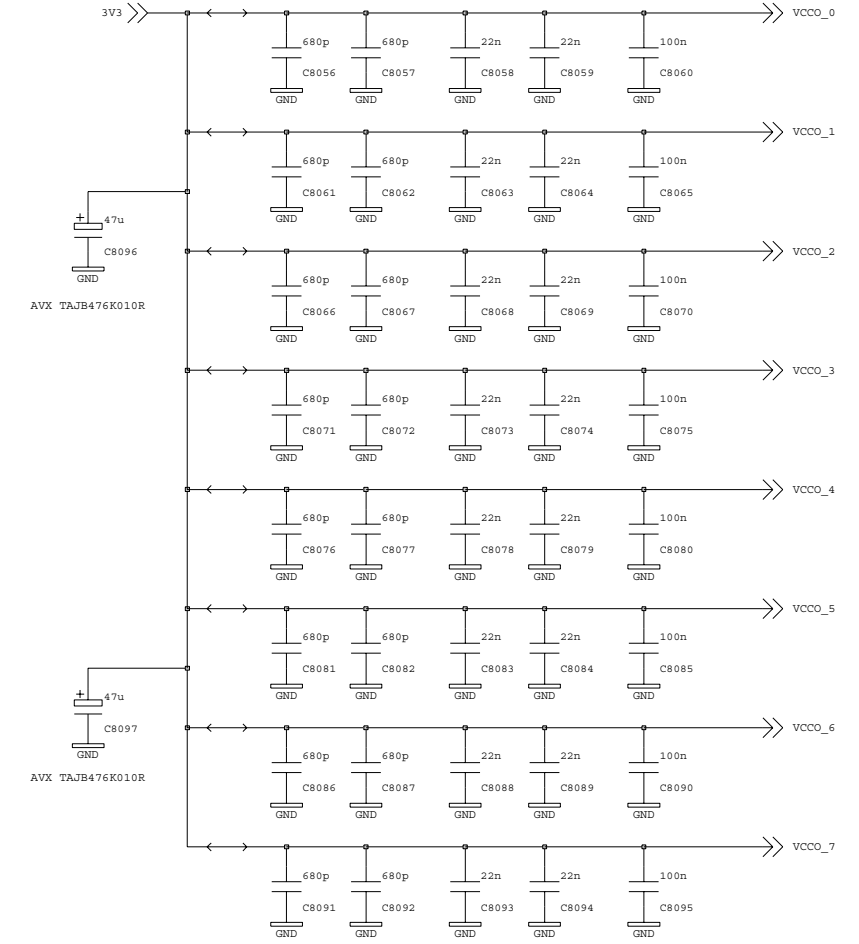
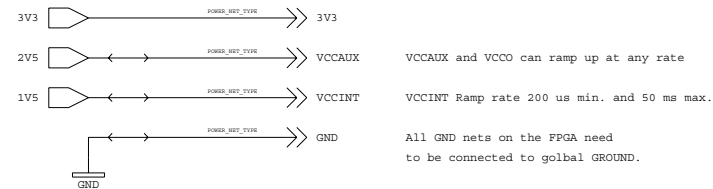


XC2VP7/20 VCCAUX Decoupling Capacitors
 Min. Power-On Current XC2VP20
 IccAUX = 250 mA (min)



Power Inputs

For Xilinx Virtex-II Pro, power supplies can be turned on in any sequence.



channel_in		Rev	V2	2
		Date	7 Feb 2006	
Input FPGA Power Supply Decoupling		Time	1:51:34 pm	
Proj:	MROD-X	Proj.No:	38405	
Peter Jansweijer		peterj@nikhef.nl		
NIKHEF <small>© ET-Nikhef Amsterdam</small>		<small>NATIONAAL INSTITUUT VOOR KERN- FYSICA EN HOGE ENERGIE-FYSICA KRUISLAAN 409, 020-592 2000 1098 SJ AMSTERDAM NEDERLAND</small>		
		Size	A3	4 1 4 A
		Dim	420 x 297 mm	
Page		3	of	6