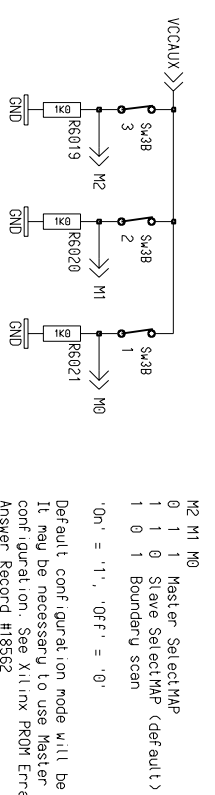
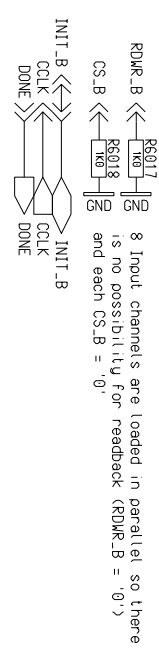
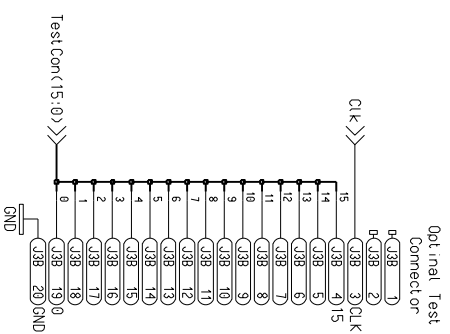
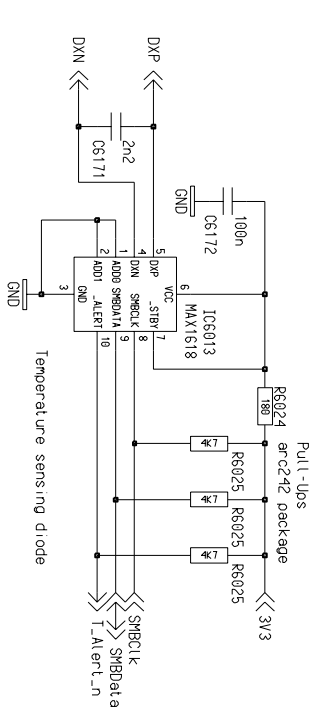
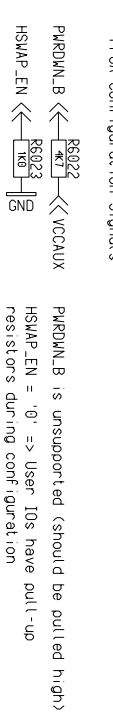


DOUT is BUSY in SelectMAP mode and BUSY should NOT be used for parallel chains where the same bitstream is loaded into multiple devices. See "Virtex-II Pro FPGA User Guide", Chapter 4 -> Configuration -> Slave SelectMAP programming mode -> BUSY.
 Note: FCC-SelectMAP = 50 Mhz so CLK < 50 Mhz!

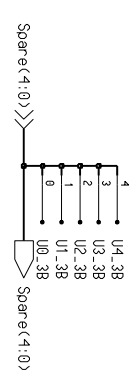


M2 M1 M0
 0 1 1 Master SelectMAP
 1 1 0 Slave SelectMAP (default)
 1 0 1 Boundary scan
 '0n' = '1', '0ff' = '0'

Default configuration mode will be Slave SelectMAP. It may be necessary to use Master SelectMAP configuration. See Xilinx PROM Errata. Answer Record #13552
 In this case set MRDQ-Out FPGA and one MRDQ-In FPGA to Master SelectMAP and all other MRDQ-In FPGAs to Slave SelectMAP.



Testpoints force Spare lines to be accessible.



channel_in		Rev	80
Input FPGA Auxiliary Connections		Date	26 Jan 2005
Proj: MRDQ-X	Proj.No:38405	Time	12:11:01 pm
Peter Jansweijer	peter.j@nikhef.nl	Name	Peter Jansweijer
NATIONAAL INSTITUUT VOOR KERN-FYSICA EN HOOG ENERGIE-FYSICA KRUISLAAN 409, 020-592 2000 1098 SJ AMSTERDAM NEDERLAND		Size	A3
©Eindhoven University of Technology		Dim	420 x 297 mm
		Page	6 of 6