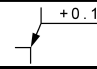
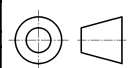



Tolerances unless otherwise stated:		General: ISO-2768-mK-E	 +0.1	Material: Aluminium	
		Geometrical: ISO-8015-E		Units: mm	Date: 27-May-2020
		Roughness: ISO-1302	Scale: 1:1	Engineer: Marco Kraan	
Project: 103360-LHCb VELO Upgrade				Checked: Marco Kraan (marcok) 27-May-2020	
Name: Clamp Blade Spring				Document number: 052229-A-dwg1	
 National Institute for Subatomic Physics Science Park 105, 1098 XG Amsterdam		Item number: 052229		Status: Released	

This drawing may not be used for commercial purposes without written authorisation.