

1512

A

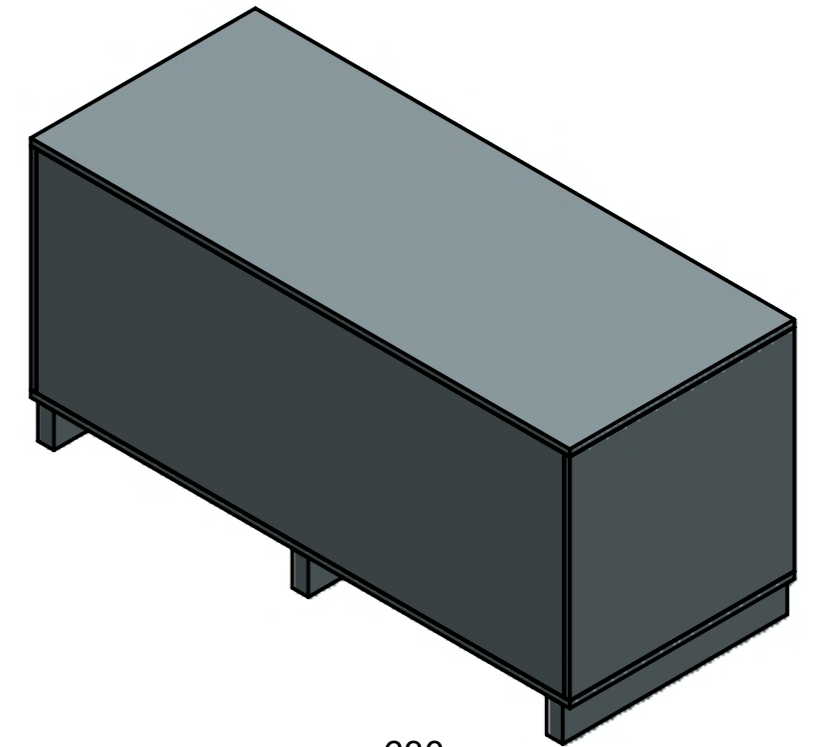
B

A

B

95

45



630

726

18

630

SECTION B-B

Tolerances unless otherwise stated:		General: ISO-2768-mK-E		Material: Berken Multiplex		
		Geometrical: ISO-8015-E		Units: mm	Date: 20-Feb-2019	Mass (kg) 56 kg
		Roughness: ISO-1302		Scale: 1:8	Engineer: Marco Kraan	
Project: 103360-LHCb VELO Upgrade				Checked: Marco Kraan (marcok) 20-Feb-2019		
Name: VELO RF Box Outer Transport Box				Document number: 043575-E-dwg1		
				Revision: E		
National Institute for Subatomic Physics Science Park 105, 1098 XG Amsterdam			Item number: 043575	Status: Released		

This drawing may not be used for commercial purposes without written authorisation.