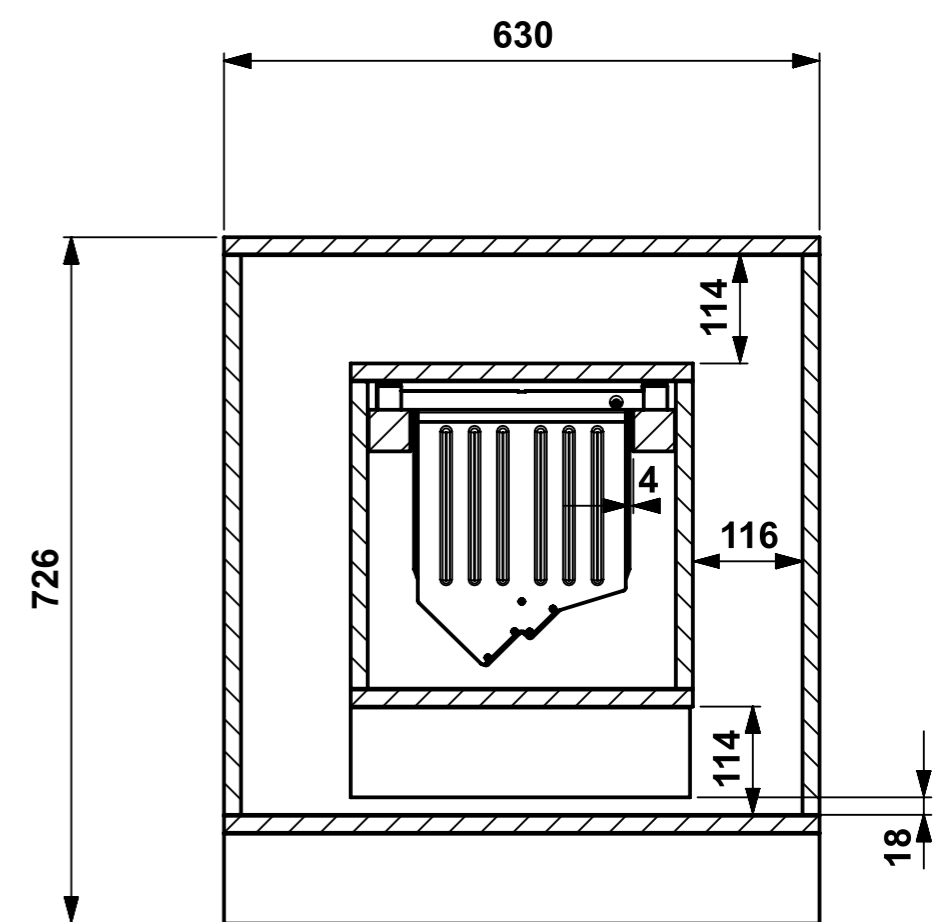
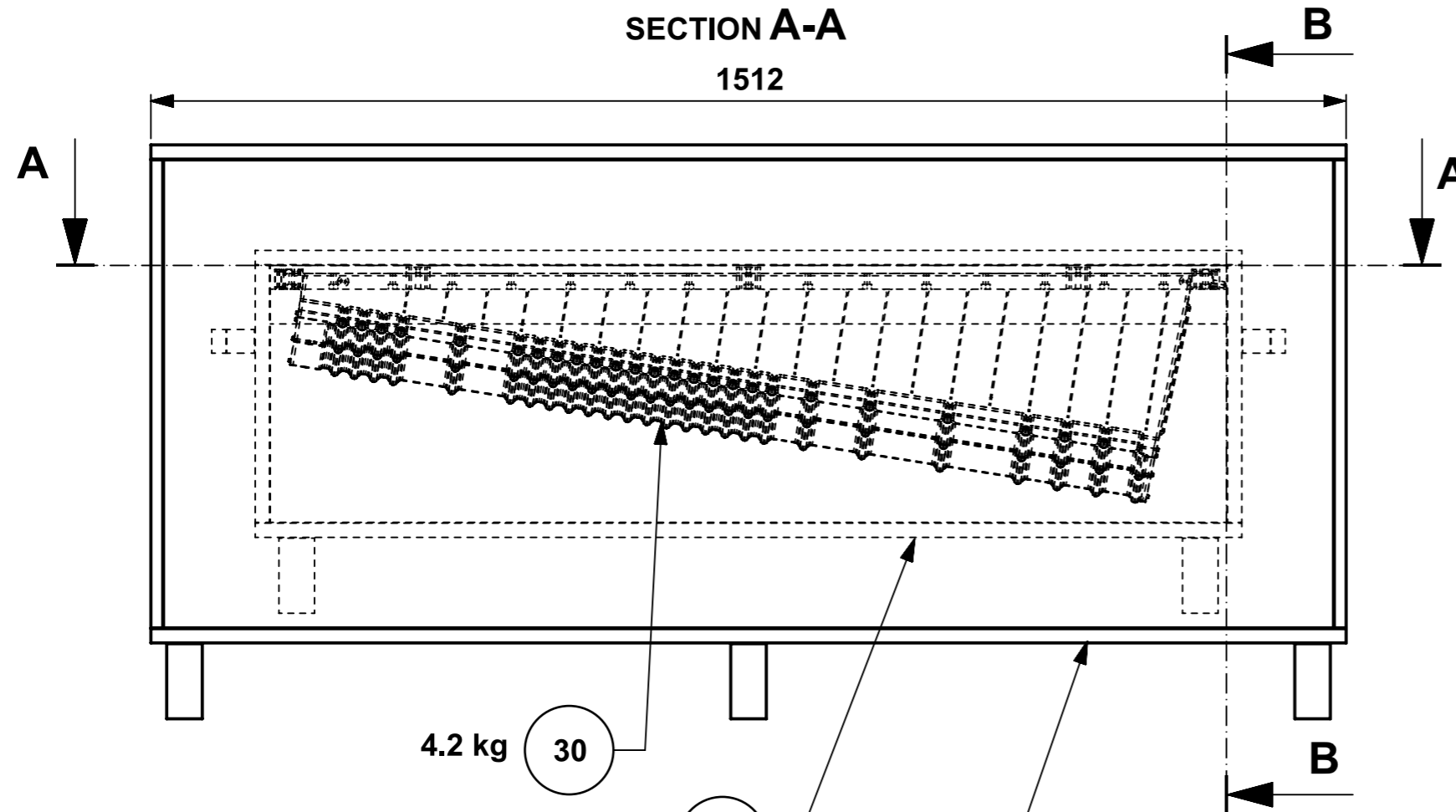


SECTION A-A  
1512



SECTION B-B

No.	Qty	Name	No./Rev	Supplier name	Supplier code
50	3	Clamp 1 RF Foil	043720/A		
40	4	Clamp 2 RF Foil	043725/A		
30	1	H left a side box foil large angle	006673/A		
20	1	VELO RF-Box Storage Box	043573/D		
10	1	VELO RF Box Outer Transport Box	043575/E		

Tolerances unless otherwise stated:		General: ISO-2768-mK-E	+0.1	Material:		
		Geometrical: ISO-8015-E		Units: mm	Date: 08-Mar-2019	Mass (kg) 65 kg
		Roughness: ISO-1302		Scale: 1:1	Engineer: Marco Kraan	
Project: 103360-LHCb VELO Upgrade			Checked	Document number: 043574-F-dwg1	Revision: F	
Name: RF box on transport				Item number: 043574	Status:	
		National Institute for Subatomic Physics		Science Park 105, 1098 XG Amsterdam		
This drawing may not be used for commercial purposes without written authorisation.						