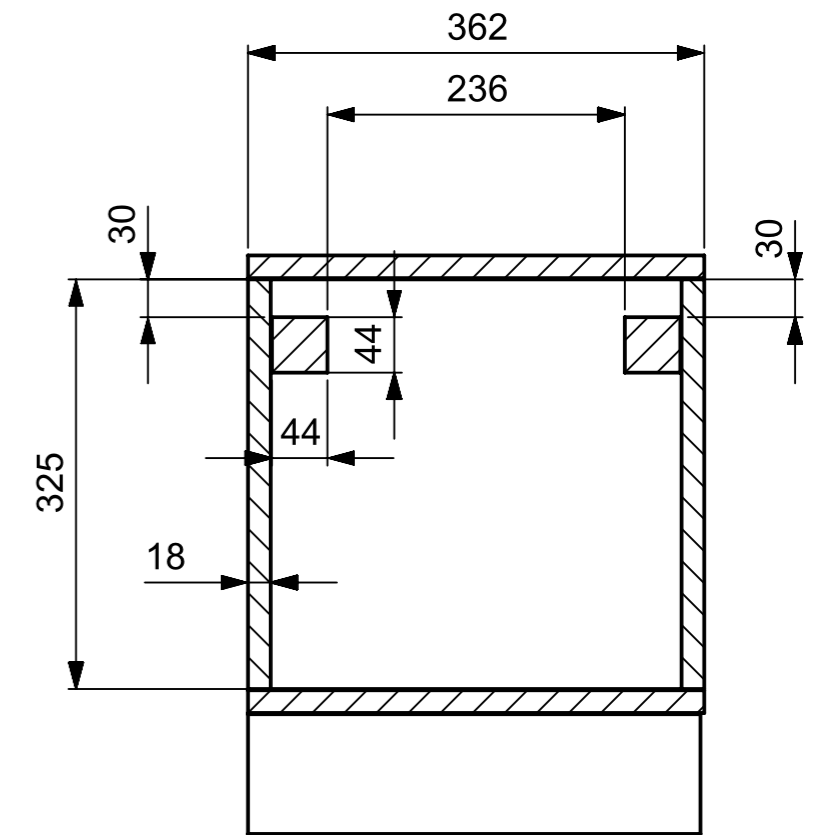
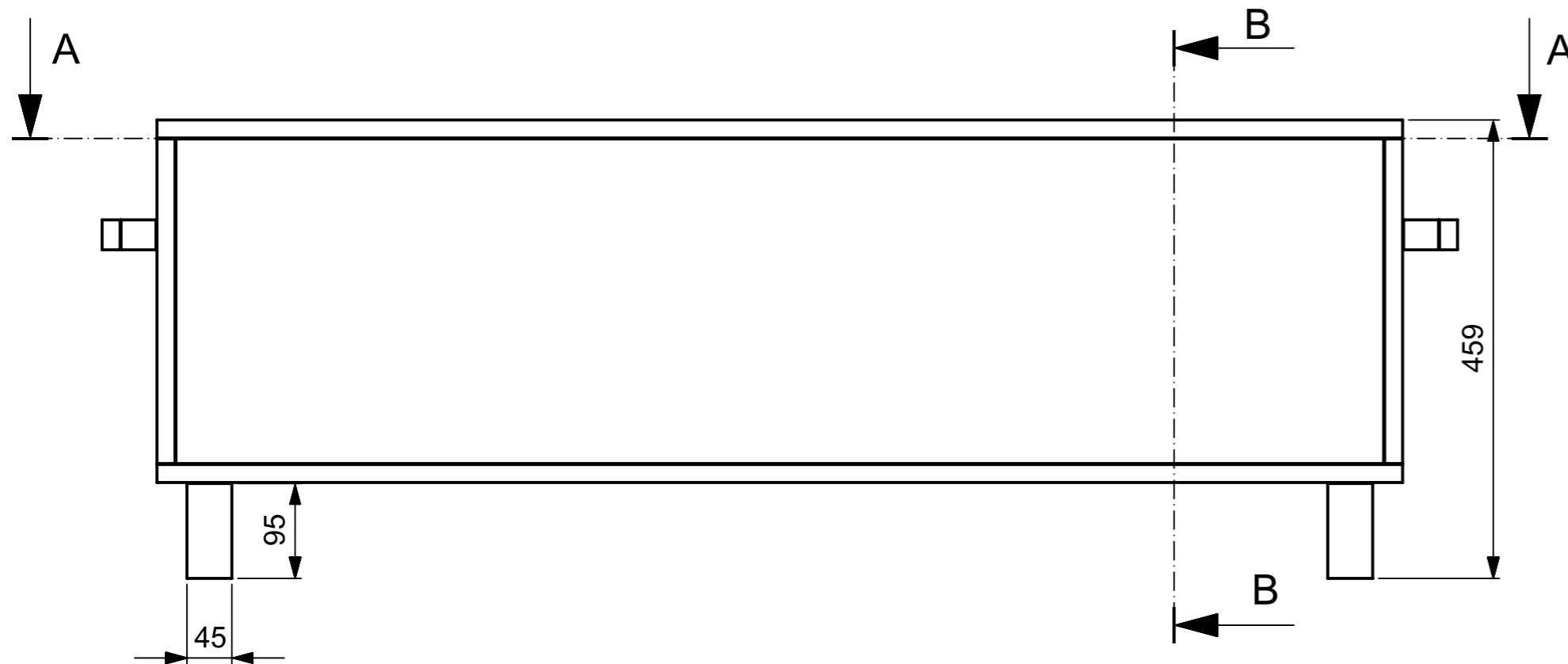



Handvat aan beide zijden

SECTION A-A



SECTION B-B

Tolerances unless otherwise stated:		General: ISO-2768-mK-E	+0.1	Material: Berken Multiplex		
		Geometrical: ISO-8015-E		Units: mm	Date: 20-Feb-2019	Mass (kg) 28 kg
		Roughness: ISO-1302		Scale: 1:6	Engineer: Marco Kraan	
Project: 103360-LHCb VELO Upgrade			Checked: Marco Kraan (marcok) 20-Feb-2019	Name: VELO RF-Box Storage Box		
				Document number: 043573-D-dwg1	Revision: D	
				Item number: 043573	Status: Released	
 National Institute for Subatomic Physics Science Park 105, 1098 XG Amsterdam						

This drawing may not be used for commercial purposes without written authorisation.