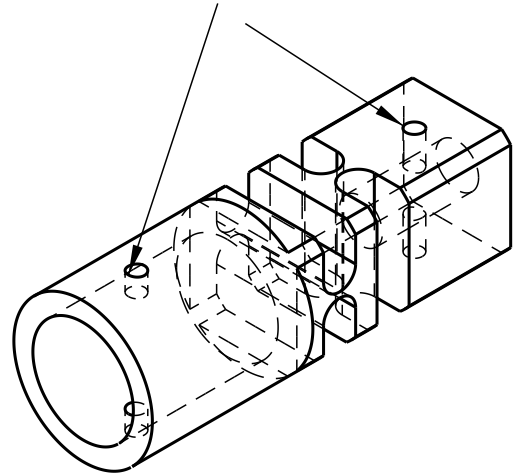
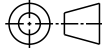



BOREN VOOR
SPANSTIFT 3mm



06	01	FLEX KOPPELING	RVS 316	ø26x70			
PART NO.	NUM-BER	TITLE	MATERIAL	SIZE/NOTE	I.D. NO./NORM		
Project: LHCb VERTEX DETECTOR							
Title: FLEX KOPPELING							
Scale: 1:1		Drawn: M.D		 Dim. in mm			
Date: 18-02-2002		Checked:					
 NATIONAL INSTITUTE FOR NUCLEAR PHYSICS, AND HIGH ENERGY PHYSICS P.O. 41882, 1009 DB Amsterdam, The Netherlands			CERN LABEL				
			General tolerances unless otherwise stated according to ISO-2768-mK-E	Geometrical tolerances unless otherwise stated according to ISO-8015-E	Roughness unless otherwise stated according to DIN 1302	Size	Identification No.:
					A4	LHCb-TVT0903	
			Sheet No: X Number of sheets: X				
This drawing may not be used for commercial purposes without written authorisation.							

