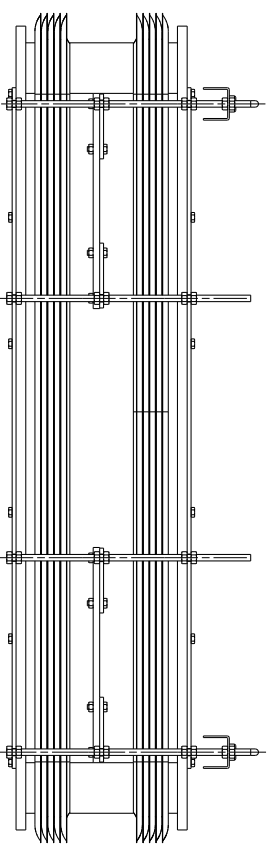
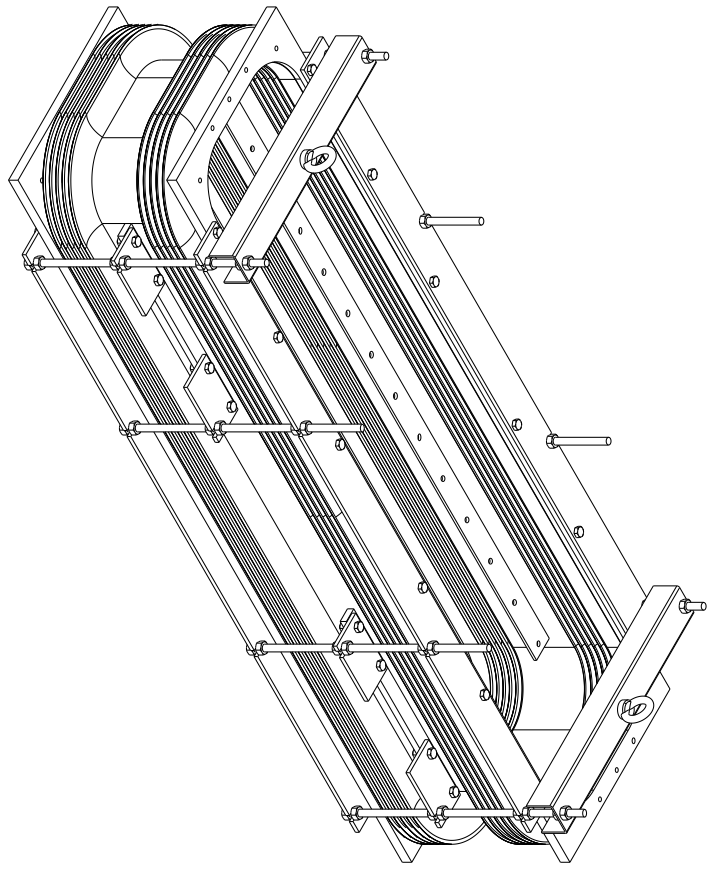


NOTE:

Stitch weld pos. no. 01 to the bellow



SCALE 1:4

10	16	nut	AISI 304/316	M10	
09	16	bold	AISI 304/316	M8x25	
08	2	lifting bold	AISI 304/316	DIN680-M10-C15, JENKA	
07	24	lifting beam	AISI 304/316		LHCB-1V10604
06	24	bold	AISI 304/316	M8x16	
05	4	plate 1	AISI 304/316		LHCB-1V10601
04	56	nut	AISI 304/316	M10	
03	8	thread	AISI 304/316	M10x375	
02	2	plate 2	AISI 304/316		LHCB-1V10608
01	8	bar	AISI 304/316		LHCB-1V10609

Project: LHCB VERTEX DETECTOR

Title: BRAZING SETUP
RECTANGULAR BELLOW

Scale: 1:1, 2002
 Date: Jan 2002
 Drawn by: M. J. Kroon
 Checked by: M. J. Kroon
 Part No.: A1
 Revision: 1
 Material: AISI 304/316
 Size/Note: 1.0, NO./NORM
 Date: 8 Feb. 02
 M. J. Kroon

NIKELF
 NIKELF
 104-131-1020-922519

Sheet No. X Number of Sheets X