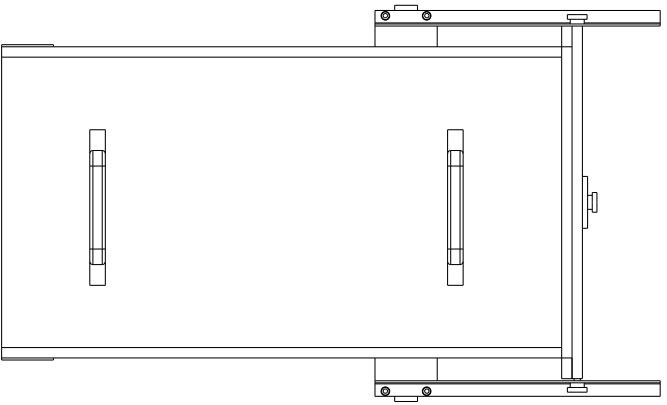
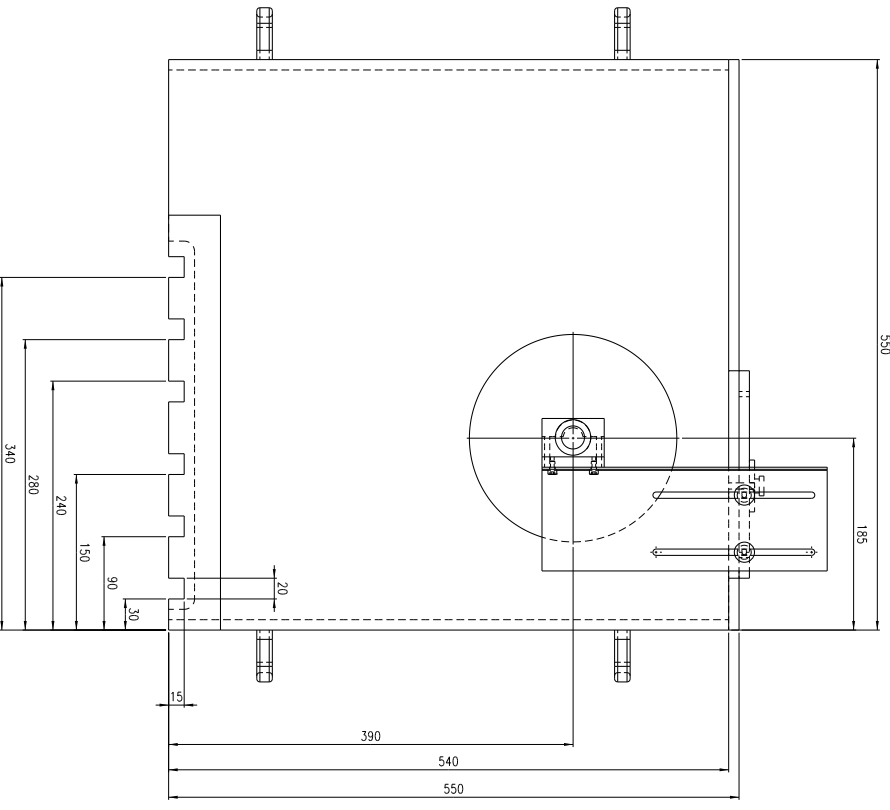
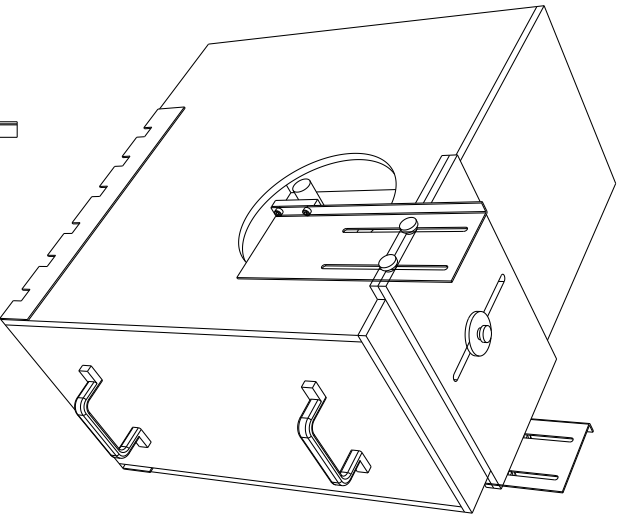


OLD DESIGN



XX	XX	XX	XX	XX
PART NO.	TITLE	MATERIAL	SIZE/NOTE	I.D. NO./ANGRA
NO. 1	LHCb VERTEX DETECTOR			
Project: LHCb VERTEX DETECTOR				
Title: TEST SETUP RF				
SCALE: -	DATE: JULY 2001	DESIGNED BY: M. J. K. GARD	DATE: 17/07/01	SCALE: 1:1
DRAWN BY: M. J. K. GARD				
CHECKED BY: M. J. K. GARD				
APPROVED BY: M. J. K. GARD				
PROJECT NO.: 150-5015-E				
DRAWING NO.: 150-5015-E				
SHEET NO.: X				
SHEET TOTAL: X				
PROJECT: LHCb VERTEX DETECTOR				
TITLE: TEST SETUP RF				
SCALE: 1:1				
DATE: JULY 2001				
DESIGNED BY: M. J. K. GARD				
DRAWN BY: M. J. K. GARD				
CHECKED BY: M. J. K. GARD				
APPROVED BY: M. J. K. GARD				
PROJECT NO.: 150-5015-E				
DRAWING NO.: 150-5015-E				
SHEET NO.: X				
SHEET TOTAL: X				

NIKEEF
 Nuclear Instrument Engineering & Fabrication
 101-151-1050-9225153
 This drawing may not be used for commercial purposes without written authorization.