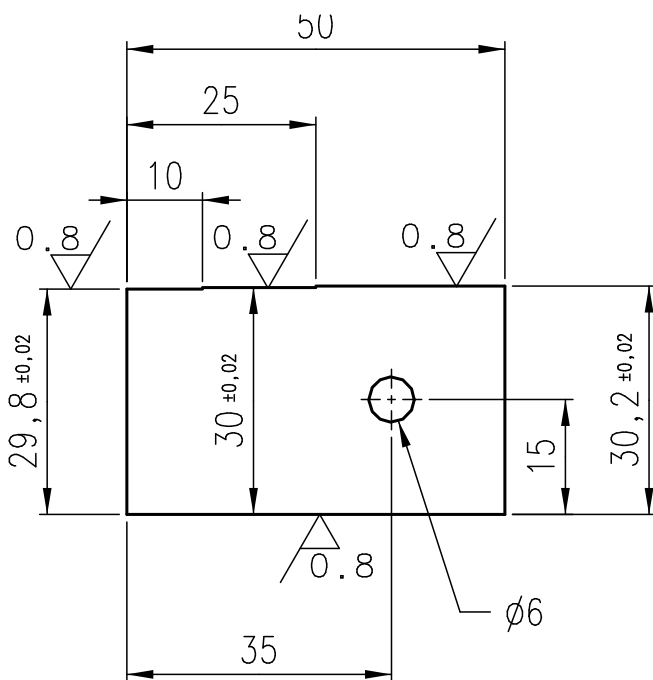
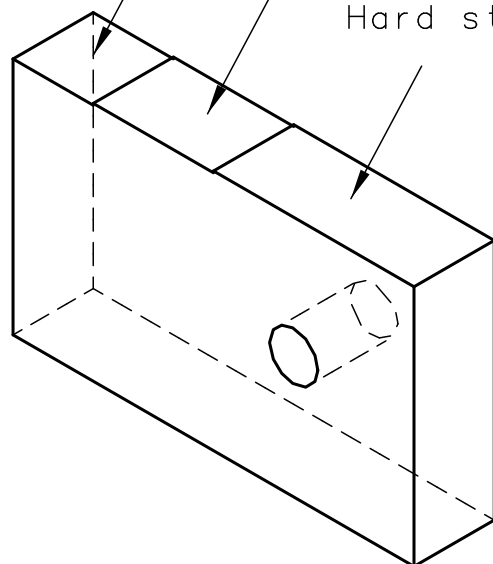




Reset switch

End switch

Hard stop



01			AISI			
PART NO.	NUMBER	TITLE	MATERIAL	SIZE/NOTE	I.D. NO./NORM	
Project: LHCb VERtEX LOcator				Revision	Date	Name
Title: EINDMAAT CENTERFRAME					A	
Scale: 1:1					B	
Date: 23-3-2004					C	
Drawn: M Doets		Checked: MJ Kraan		D		
Date: 23-3-2004		Checked: MJ Kraan		General tolerances unless otherwise stated according to ISO-2768-mK-E		
Date: 23-3-2004		Checked: MJ Kraan		Geometrical tolerances unless otherwise stated according to ISO-8015-E		
Date: 23-3-2004		Checked: MJ Kraan		Roughness unless otherwise stated according to DIN 1302		
 NATIONAL INSTITUTE FOR NUCLEAR PHYSICS, AND HIGH ENERGY PHYSICS P.O. 41882, 1009 DB Amsterdam, The Netherlands		CERN LABEL		Size	Identification No.:	
				A4	TVS 0501	
				Sheet No: X Number of sheets: X		
This drawing may not be used for commercial purposes without written authorisation.						