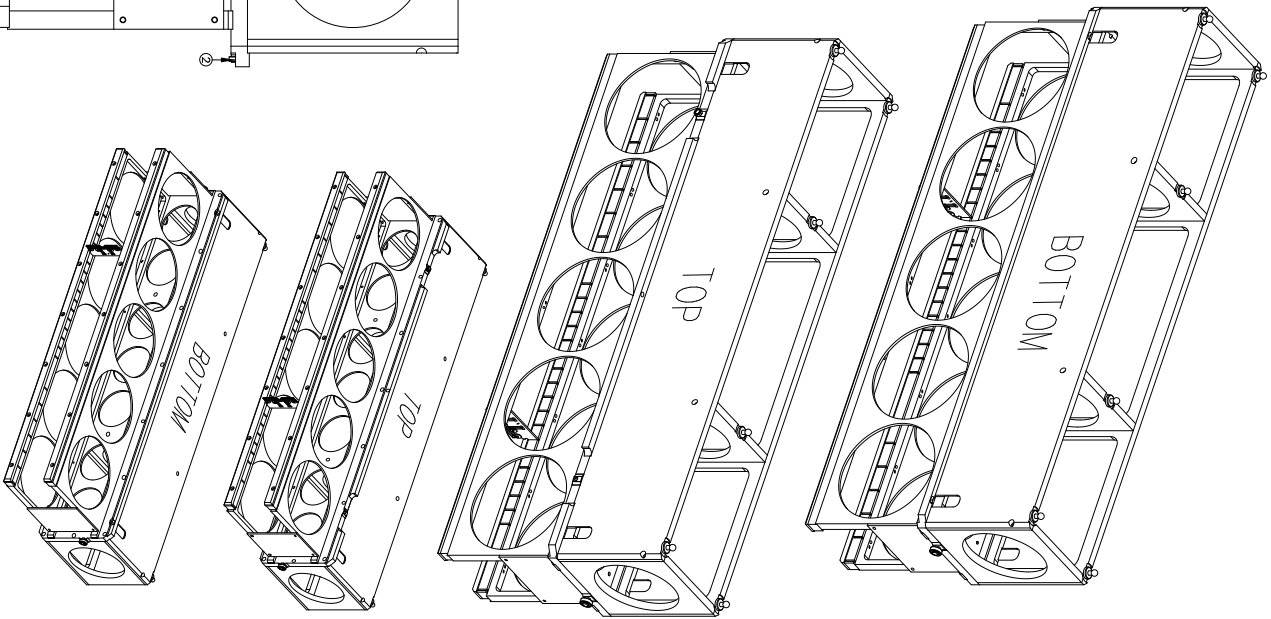
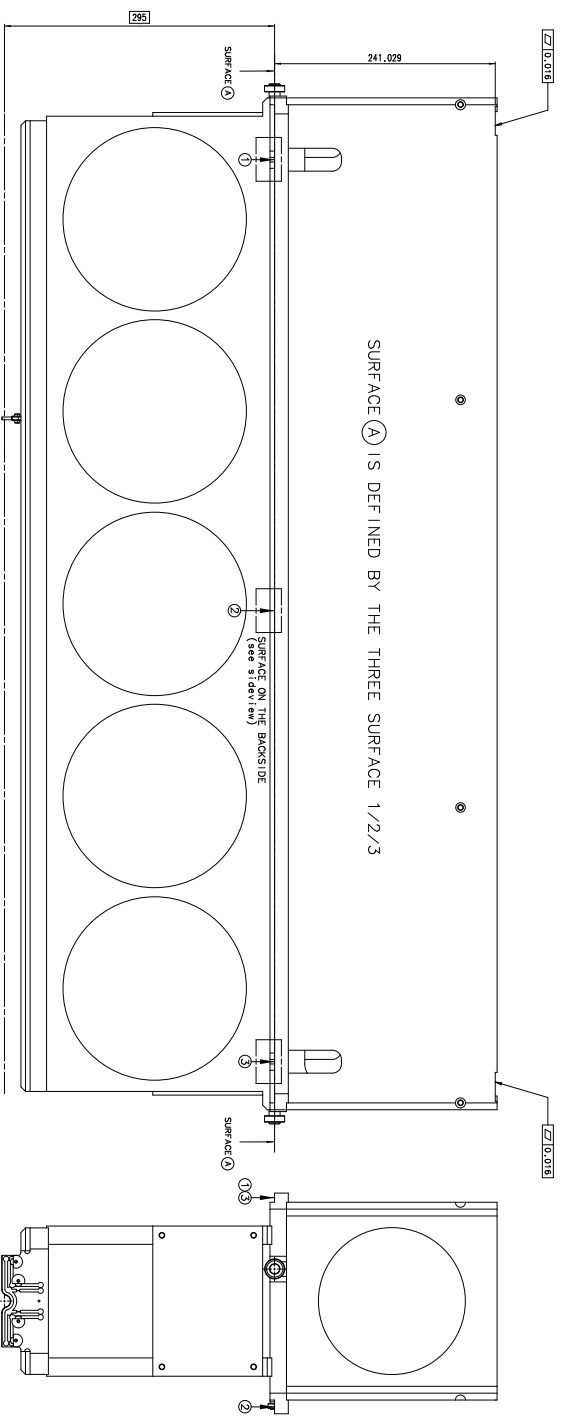
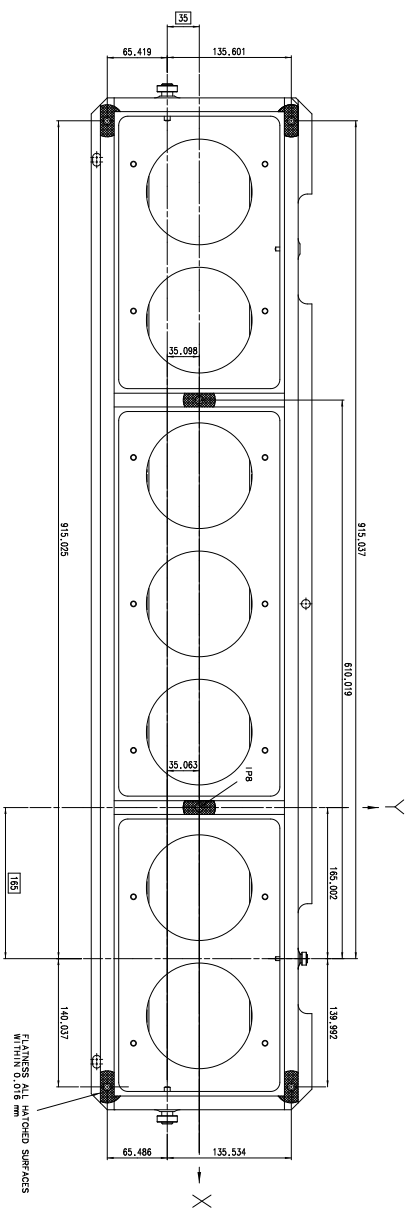


# LEFT DETECTOR ALIGNMENT FRAME



Project: LHCb Vertex Locator		Date:	Version:
Title: ALIGNMENT BOX LEFT		Author:	
SHEET: 01 MECHANICAL DESIGN		Checked:	
DATE: JULY 2007		Design Manager:	
CERN LABEL		Drawn:	
NIMET		Checked:	
No I V S 03.3		Approved:	