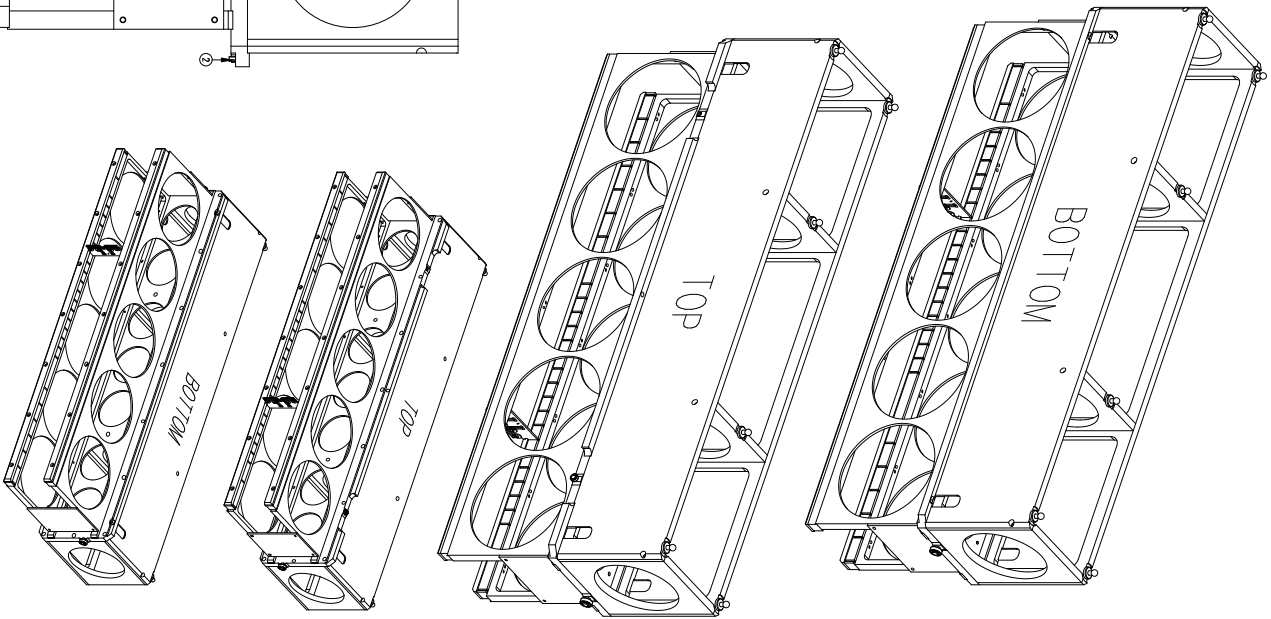
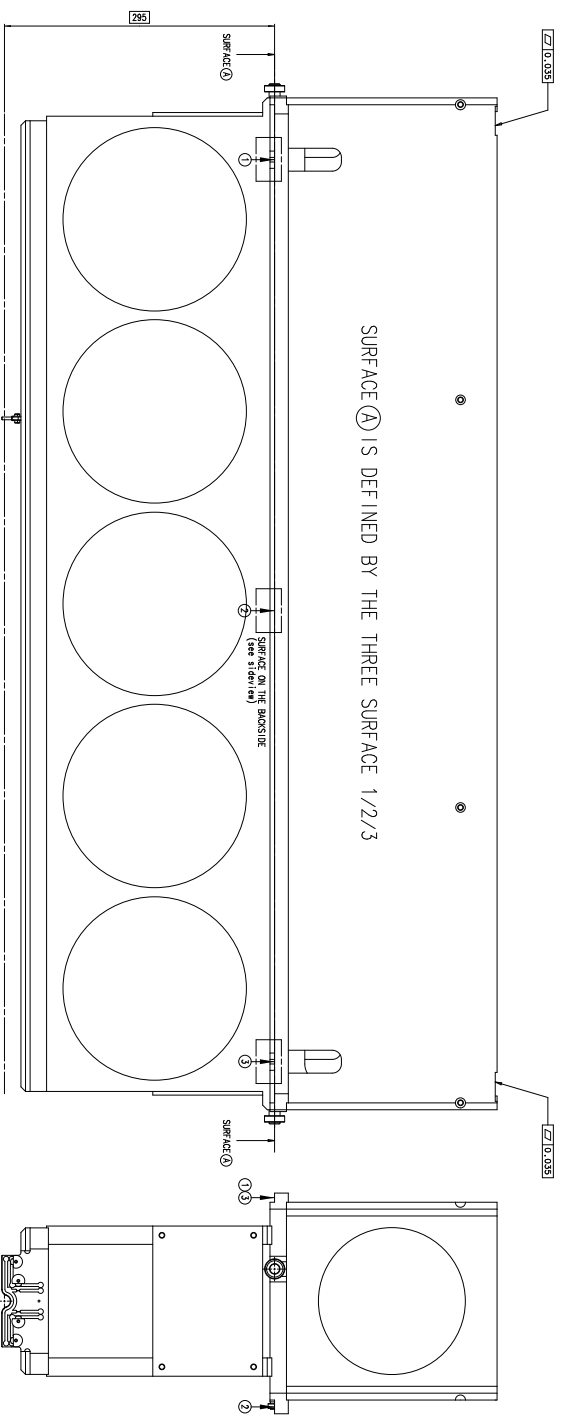
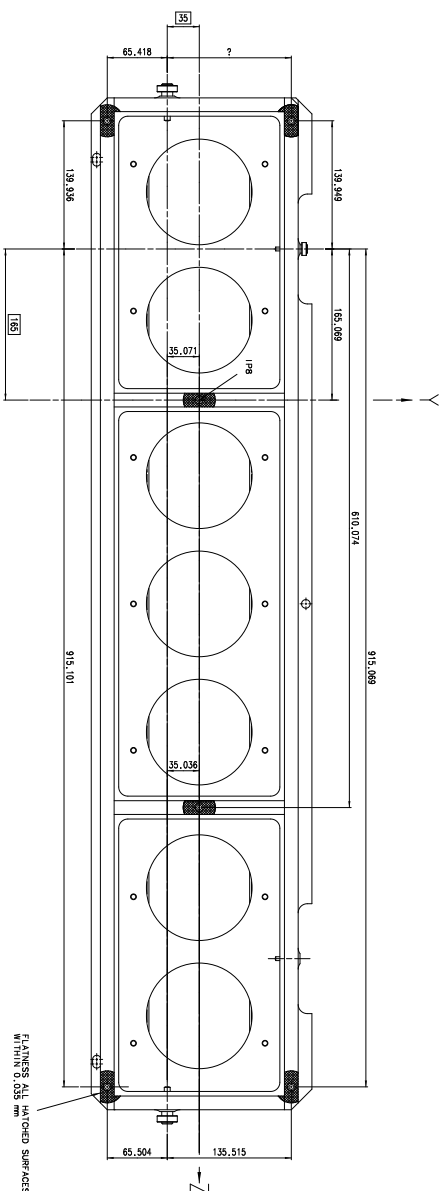


RIGHT DETECTOR ALIGNMENT FRAME



Project: LHCb Vertex Locator		Doc No:	10000
Title: ALIGNMENT BOX RIGHT		Rev:	0
Author: M. S. G. / M. S. G.		Drawn:	M. S. G.
Date: JUL 2007		Checked:	M. S. G.
Project Manager: M. S. G.		Approved:	M. S. G.
Client: CERN		Scale:	1:1
Drawing No: 1011111111		Sheet No:	1
Revision: 03.2		Issue Date:	10/03/07
Drawing Title: ALIGNMENT BOX RIGHT		Project Name:	LHCb Vertex Locator
Drawing No: 1011111111		Sheet No: 1	
Revision: 03.2		Issue Date: 10/03/07	
Drawing Title: ALIGNMENT BOX RIGHT		Project Name: LHCb Vertex Locator	
Drawing No: 1011111111		Sheet No: 1	
Revision: 03.2		Issue Date: 10/03/07	