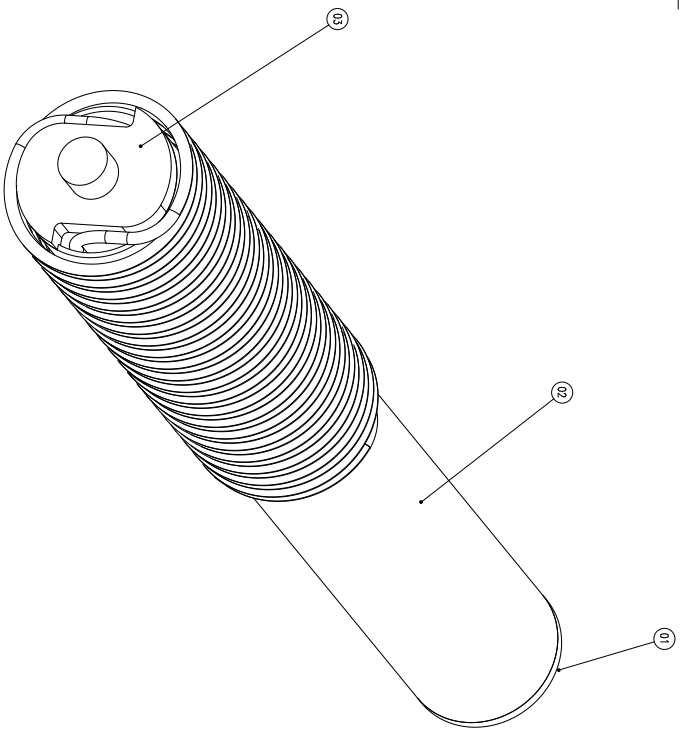
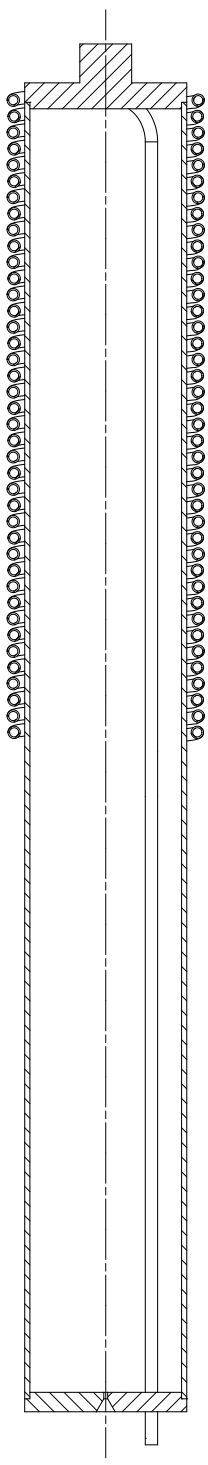


CROSS SECTION A-A



03	1	FRONT PLATE	AI		TVK3603
02	1	PIPE	AI	Ø125xØ117	L=1000
01	1	END PLATE	AI		TVK3601
PART NO.		TITLE	MATERIAL	SIZE/NOTE	I. D. NO./NORM
NO.		1	AI		
Project: LHCB Vertex Locator					
Title: MANUFACTURING JUV COIL					
ACCUMULATOR					
Date: 11/22					
Scale: 1:2					
Drawn: M.J. Krahn					
Checked: [Signature]					
Date: May 2006					
CERN LAB E.L.					
NIKHEF					
NATIONAL INSTITUTE FOR NUCLEAR PHYSICS					
P.O. BOX 10508, 3700 BU DEFT, THE NETHERLANDS					
This drawing may not be used for commercial purposes without written authorization.					
Sheet No. X, Number of sheets: X					
Revision table:					
Version	Date	Description			
A1	TVK 36	Identification No.:			