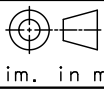



05	1		Al			
PART NO.	NUMBER	TITLE	MATERIAL	SIZE/NOTE	I.D. NO./NORM	
Project: LHCb VERtEX LOcator			 Dim. in mm	Revision	Date	Name
Title: T-fitting bracket				A		
Scale: 2:1				B		
Date: 19-05-'05				C		
Drawn: LvD			D			
Checked:			General tolerances unless otherwise stated according to ISO-2768-mK-E	Geometrical tolerances unless otherwise stated according to ISO-8015-E	Roughness unless otherwise stated according to DIN 1302	
 NATIONAL INSTITUTE FOR NUCLEAR PHYSICS, AND HIGH ENERGY PHYSICS P.O.41882,1009 DB Amsterdam, The Netherlands		CERN LABEL		Size	Identification No.:	
				A4	TVK2602	
				Sheet No: X	Number of sheets: X	
This drawing may not be used for commercial purposes without written authorisation.						

