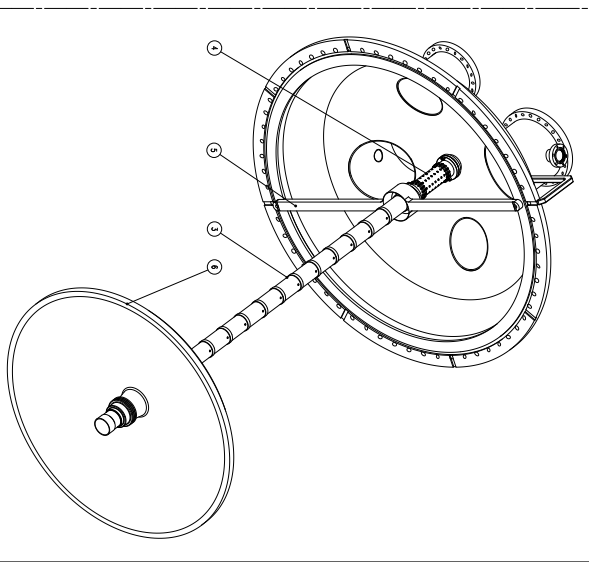
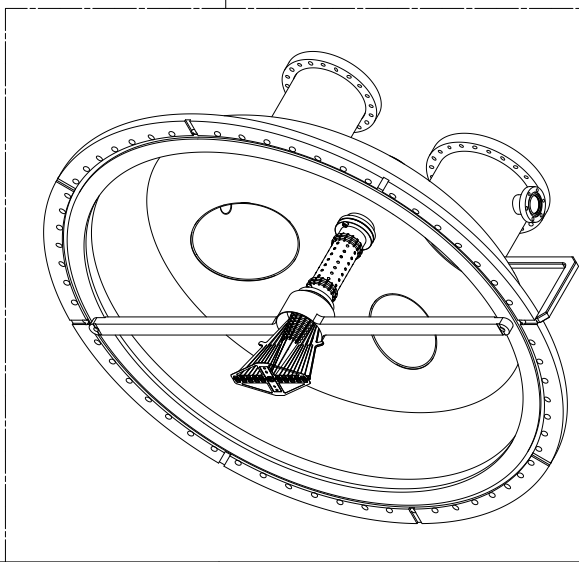
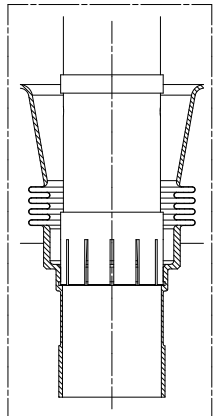
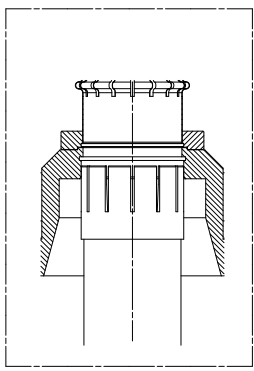
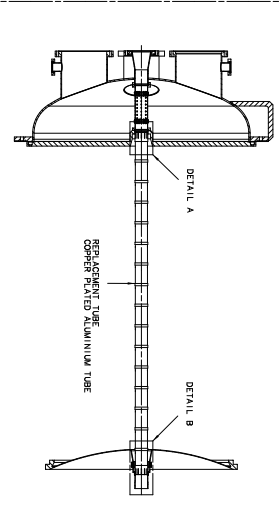
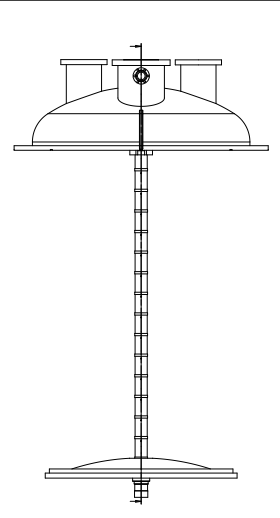
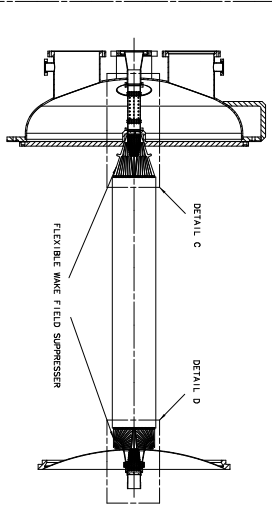
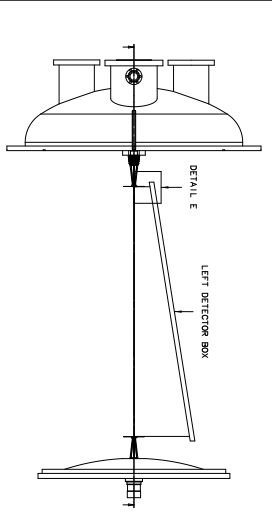
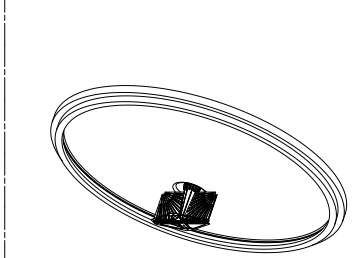
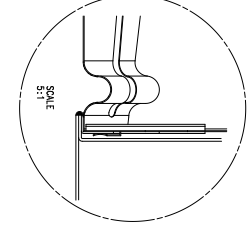
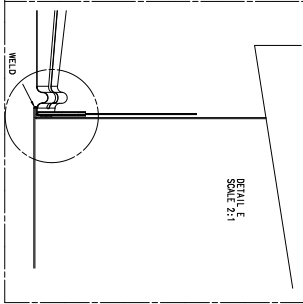
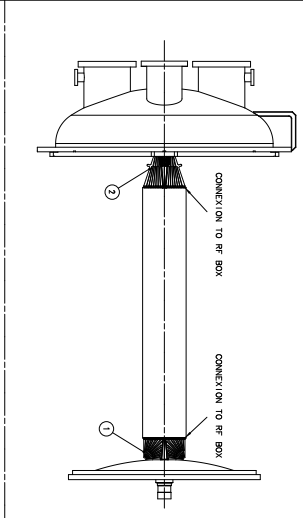


USE FOR INFORMATION ONLY



08 01	EXIT TOLL	TVN 0101
09 01	SHOCK	TVN 0102
04 01	UPSTREAM GRID	TVN 18
03 01	RF PIPE	TVN 1001
02 01	UPSTREAM SUPPRESSOR	TVN 20
01 01	DOWNSTREAM SUPPRESSOR	TVN 21

Project: LHCb, Vertex Locator  
 Title: WAKE FIELD SUPPRESSERS  
 Date: 14-10-2005  
 Author: S. J. DAVIS  
 Scale: 1:1  
 Status: Design

NIFE  
 14/10/05  
 14/10/05