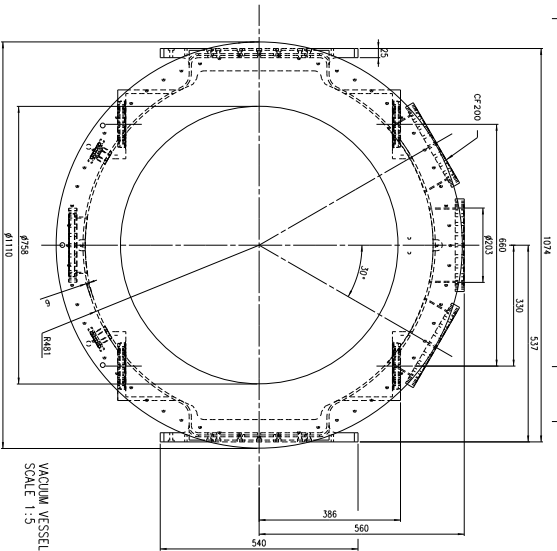
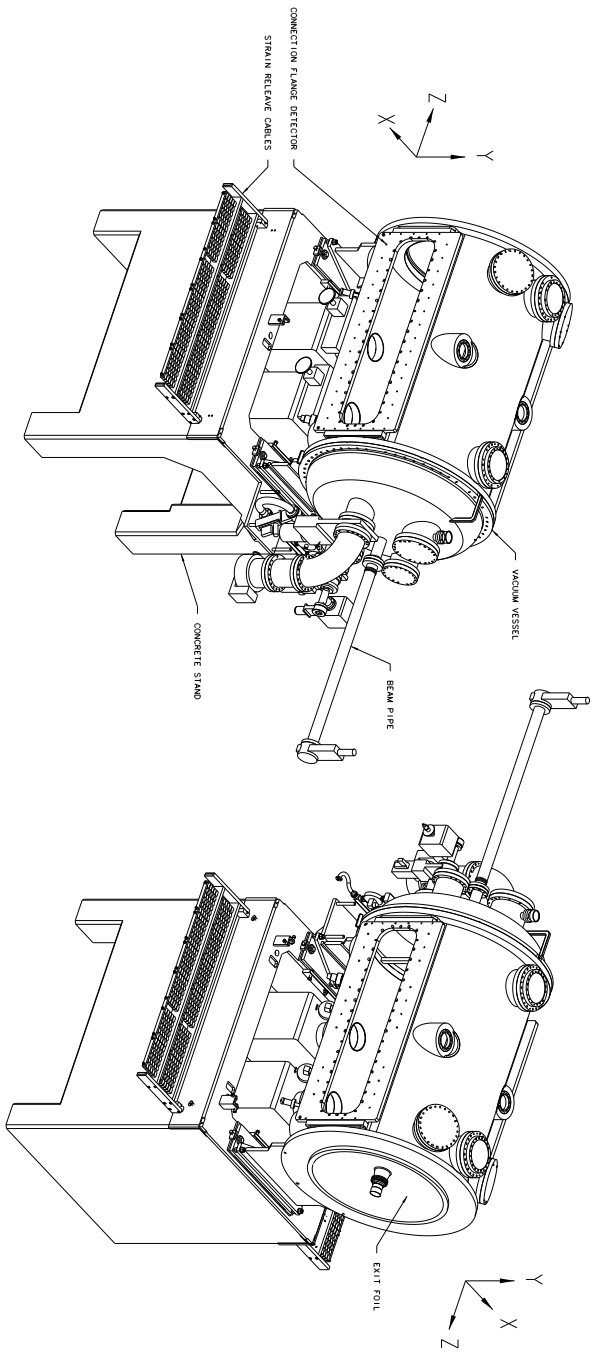
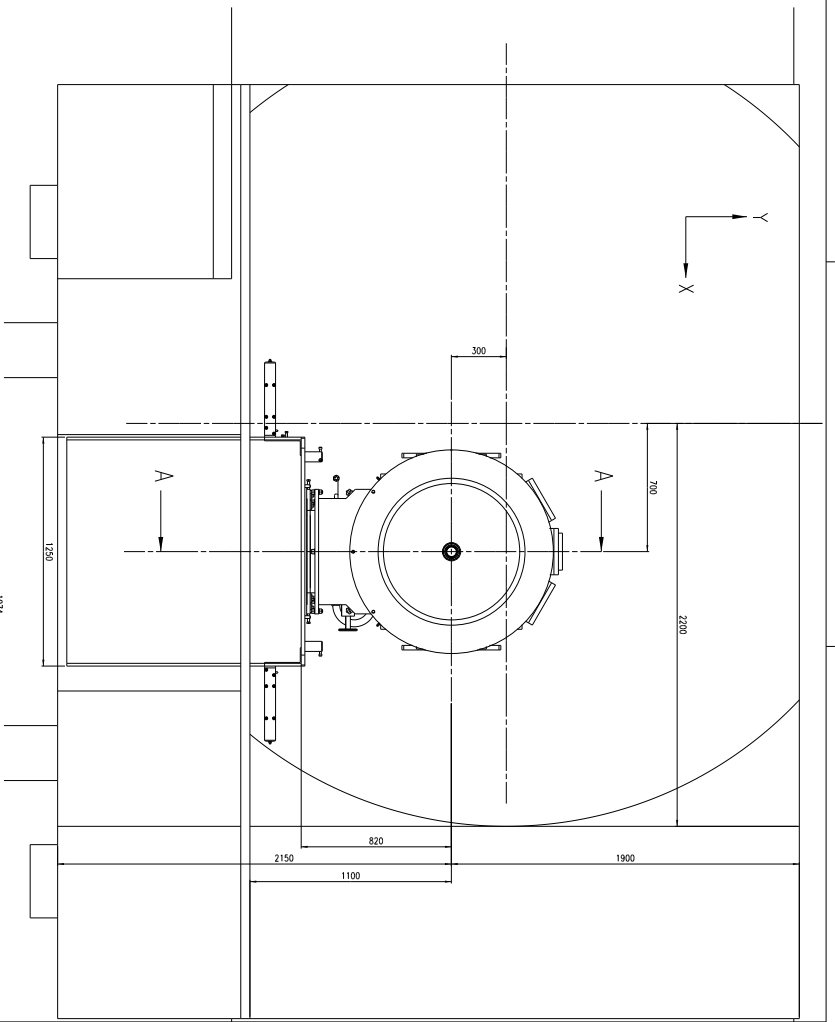


GROSS SECTION A-A



VACUUM VESSEL
SCALE 1:5

Project: VERTEX DETECTOR TUBO		DATE: 20.08.2010	Author: M.A. KROKHIN
Title: STAND + VESSEL LAYOUT		Checked: M. BOGUS	Design: M. BOGUS
Scale: 1:10		Drawn: M. BOGUS	Checked: M. BOGUS
Date: 20.08.2010		Drawn: M. BOGUS	Checked: M. BOGUS
Project: VERTEX DETECTOR TUBO		Author: M.A. KROKHIN	DATE: 20.08.2010
Title: STAND + VESSEL LAYOUT		Checked: M. BOGUS	Design: M. BOGUS
Scale: 1:10		Drawn: M. BOGUS	Checked: M. BOGUS
Date: 20.08.2010		Drawn: M. BOGUS	Checked: M. BOGUS
Project: VERTEX DETECTOR TUBO		Author: M.A. KROKHIN	DATE: 20.08.2010
Title: STAND + VESSEL LAYOUT		Checked: M. BOGUS	Design: M. BOGUS
Scale: 1:10		Drawn: M. BOGUS	Checked: M. BOGUS
Date: 20.08.2010		Drawn: M. BOGUS	Checked: M. BOGUS
Project: VERTEX DETECTOR TUBO		Author: M.A. KROKHIN	DATE: 20.08.2010
Title: STAND + VESSEL LAYOUT		Checked: M. BOGUS	Design: M. BOGUS
Scale: 1:10		Drawn: M. BOGUS	Checked: M. BOGUS
Date: 20.08.2010		Drawn: M. BOGUS	Checked: M. BOGUS