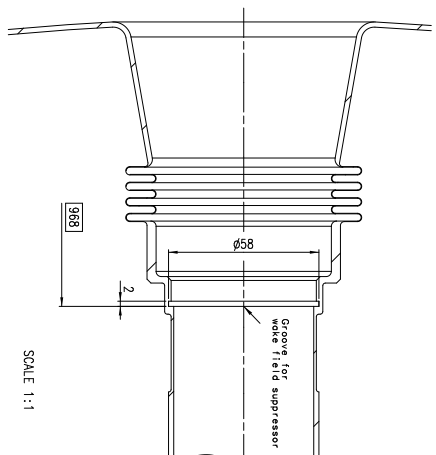


ACCEPTANCE  
X-Z PLANE = 300 mrad  
Y-Z PLANE = 250 mrad

TOP VIEW LIGHT LAYOUT 1



SCALE 1:1

Project: LHcb Vertex Locator		Name	
Title: SI LIGHT LAYOUT		Date	
LHcb VETO		14/08/03	
Drawn: M.J. Kraon		M.J. Kraon	
Checked: CERN LAB EL		Revision No.:	
Date: nov., 2002		A1 TVE0100	
Scale: 1:4		Sheet No. X	
Number of sheets: X		Number of sheets: X	
National Institute for Nuclear Physics P.O. Box 1029, 00100 Rome, Italy		CERN, CH-1211 Geneva, Switzerland	