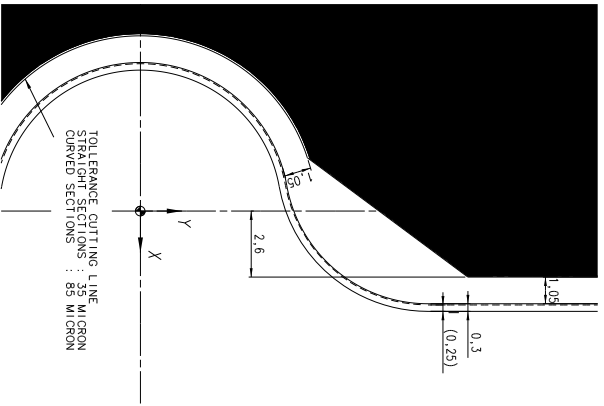
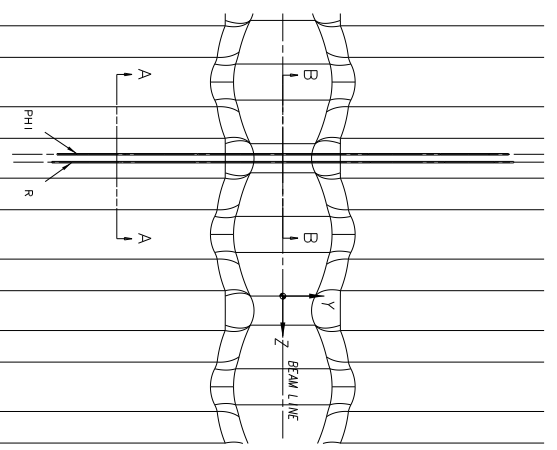
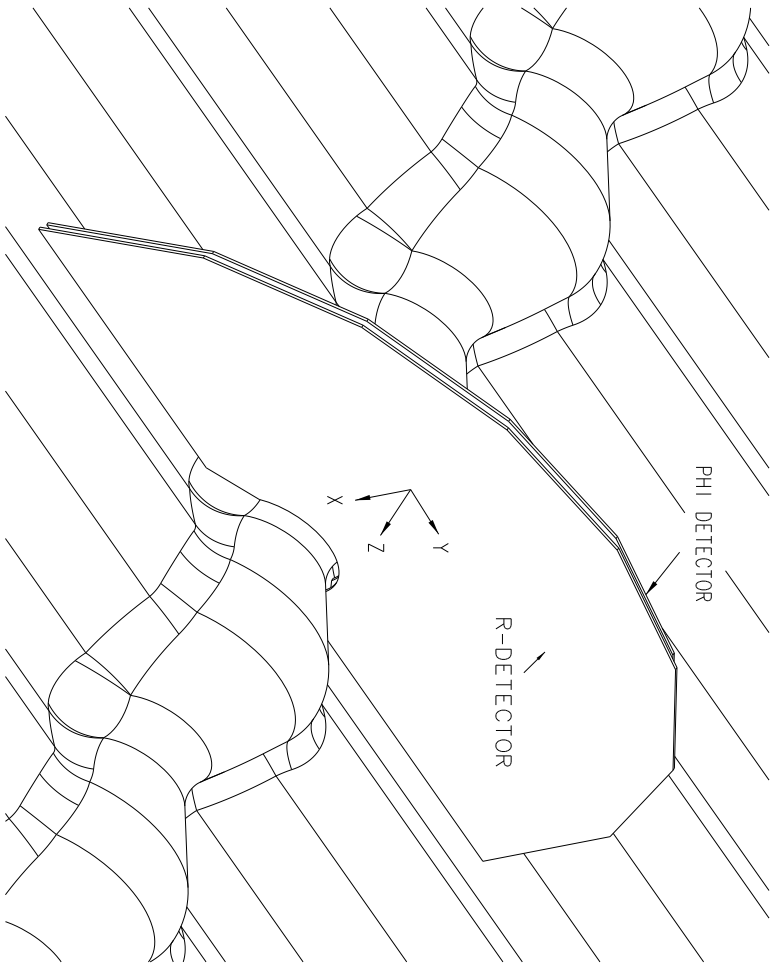
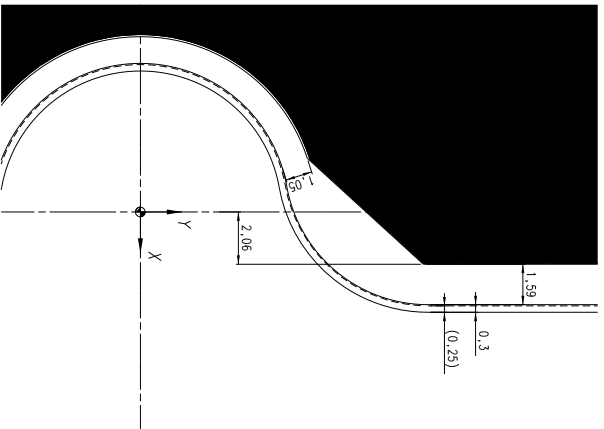


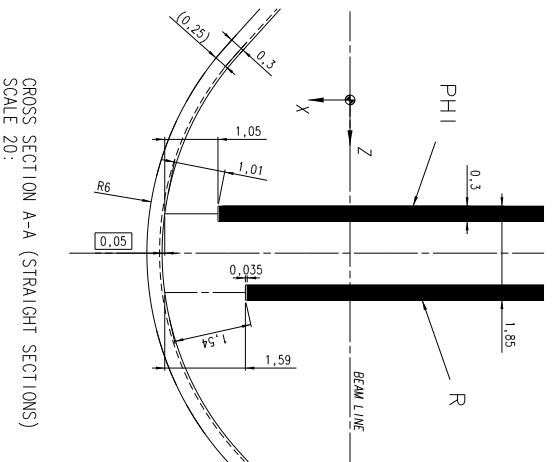
PHI DETECTOR  
crossing centerline detector



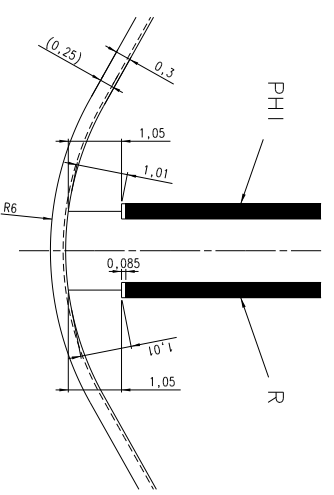
R DETECTOR  
crossing centerline detector



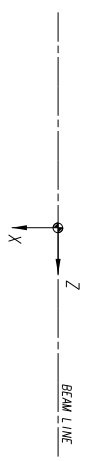
SCALE 2:1



GROSS SECTION A-A (STRAIGHT SECTIONS)  
SCALE 20:1



GROSS SECTION B-B (BEAM POSITION)  
SCALE 20:1



Project: LHCB Vertex Locator		Date	Name
Title: SPACE BETWEEN SI and SECONDARY VACUUM FOIL		Scale: 1:10	Drawn: MJ Kraan
Date: august 2003		Checked: C E R N	L A B E L
		National Institute for Nuclear Physics P.O. Box 10508, 1000 GB Amsterdam, The Netherlands	
Revision	Date	Author	
A		C E R N	
B		L A B E L	
C			
D			
Form 1 (Structural) (sheet 1 of 1) - 1999 Drawing to be used in accordance with the standards ISO 7243-2:1997 and ISO 7243-1:1997		Sheet No. X Number of sheets: X	
Size Identification No.: A1 TVE0008			

This drawing may not be used for commercial purposes without written authorization.