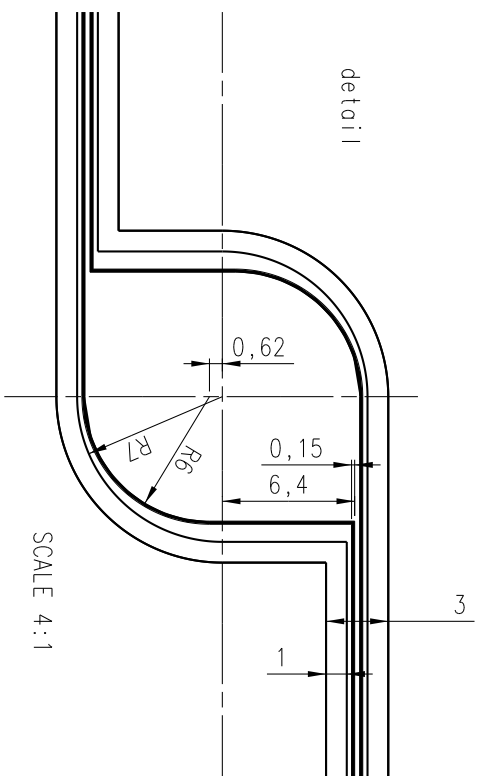
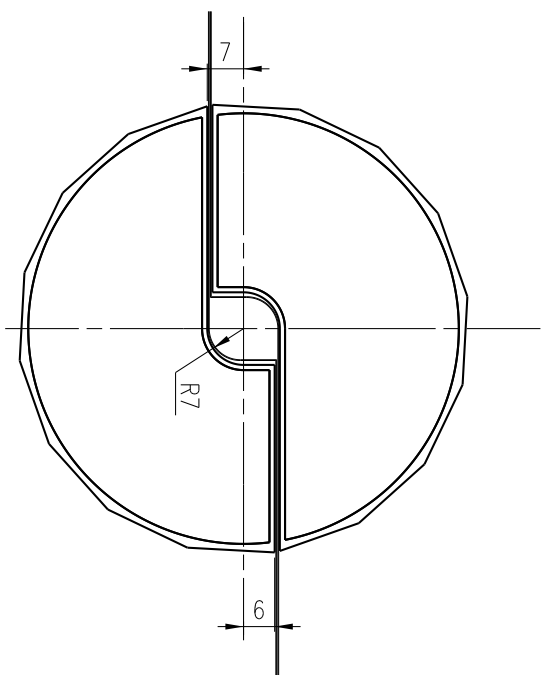



SCALE 1:2



SCALE 4:1

Project: LHCb VERTEX DETECTOR		E		Date	Name
Title: Different Si DESIGN MASSI		A			
Scale: 1:1	Drawn: M.J. Kroon	B			
Date: okt 2001	Checked:	C			
	Dim. in mm	General tolerances (geometrical tolerances unless stated otherwise according to ISO-2768-mK-E)		Surface roughness (unless stated otherwise according to DIN 1302)	
 NATIONAL INSTITUTE FOR NUCLEAR PHYSICS, AND HIGH ENERGY PHYSICS P.O.41882,1009 DB Amsterdam, The Netherlands Visitors: Kruislaan 409, 1098 SJ Amsterdam tel: +31-(0)20-5922000 fax: +31-(0)20-5925155		Size	Identification No.:		
		A3	LHCb-TVE0005	Sheet No: X	Number of sheets: X

This drawing may not be used for commercial purposes without written authorisation.

