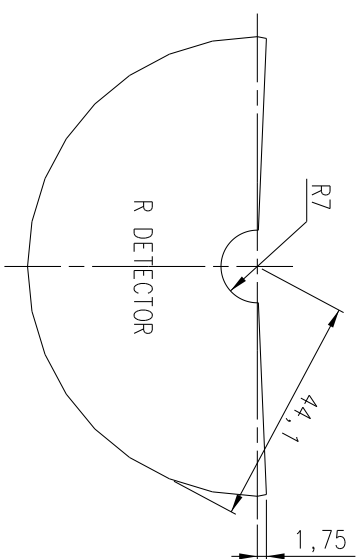
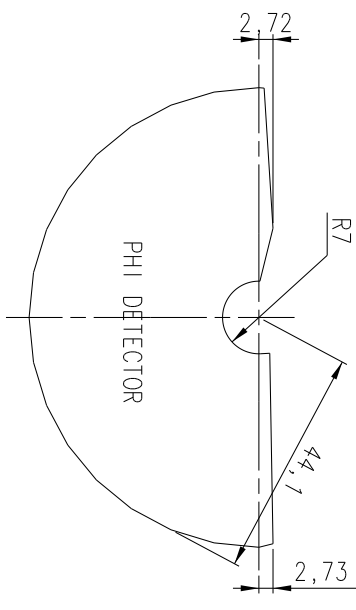
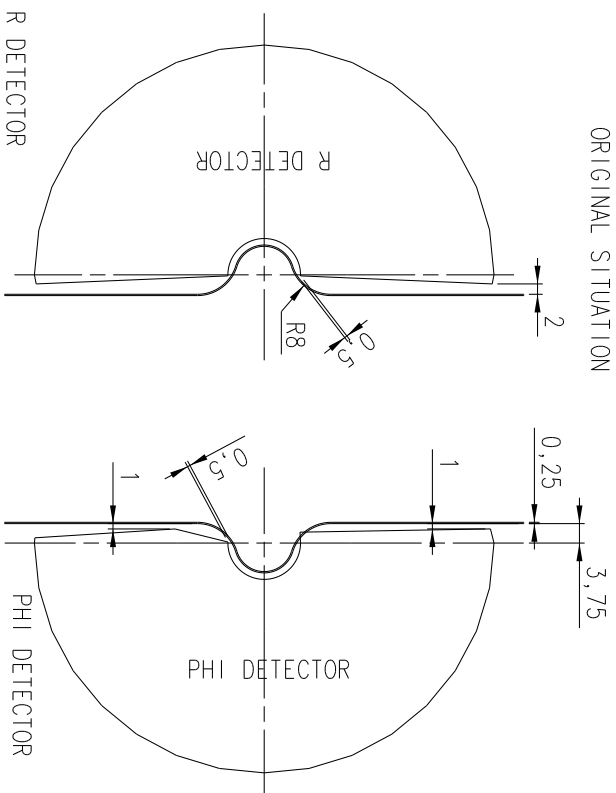



MODIFICATIONS SI TO FIT INTO THE SEC. VAC. FOIL



Project: LHCb VERTEX		Date: Dec 2001	
Title: SI DESIGN 'DOGLEG' Liverpool		Checked: M.J. Kraon	
Scale: 1:1		Dim. in mm	
 NATIONAL INSTITUTE FOR NUCLEAR PHYSICS, AND HIGH ENERGY PHYSICS P.O. 41882, 1009 DB Amsterdam, The Netherlands Visitors: Kruislaan 409, 1098 SJ Amsterdam tel: +31-(0)20-5922000 fax: +31-(0)20-5925155		Size A3 Identification No.: LHCb-TVE0004	
General tolerances (unless otherwise stated according to ISO-2768-mk-E)		Geometrical tolerances (unless otherwise stated according to ISO-8015-E)	
Surface finish (unless otherwise stated according to DIN 1302)		Roughness (unless otherwise stated according to DIN 1302)	
Sheet No: X	Number of sheets: X	Date	Name

This drawing may not be used for commercial purposes without written authorisation.

