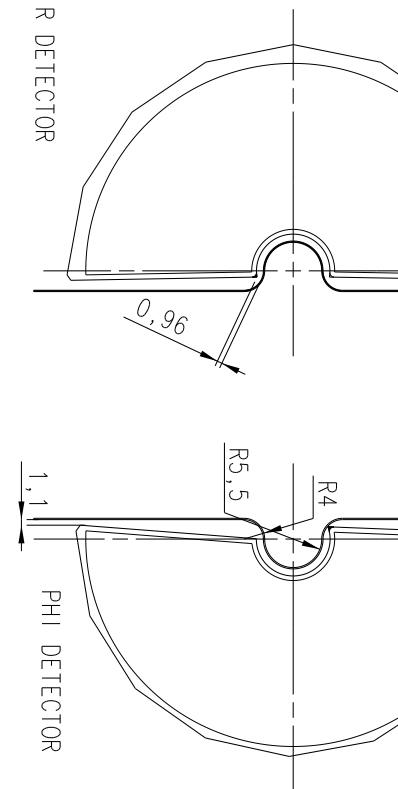
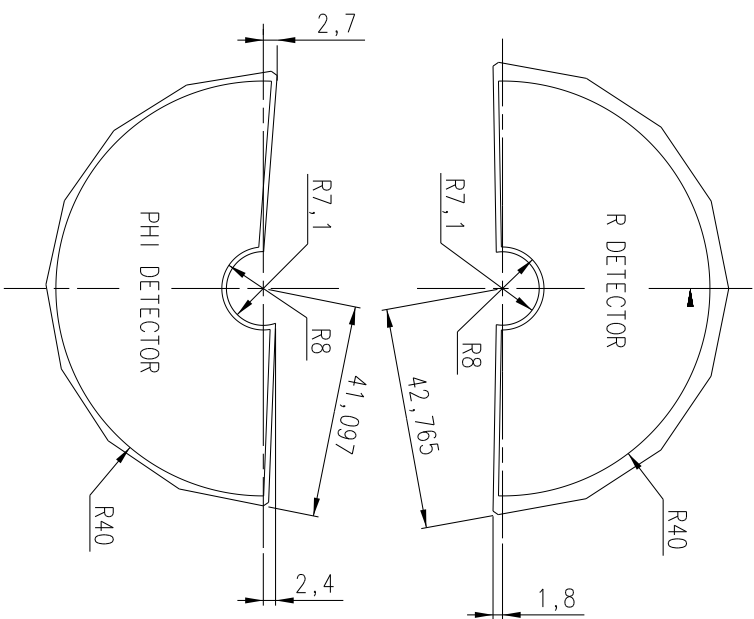
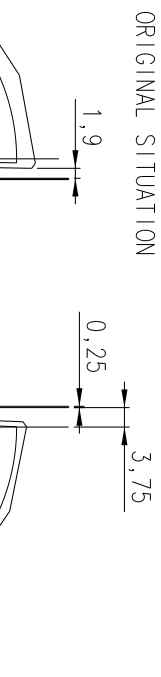
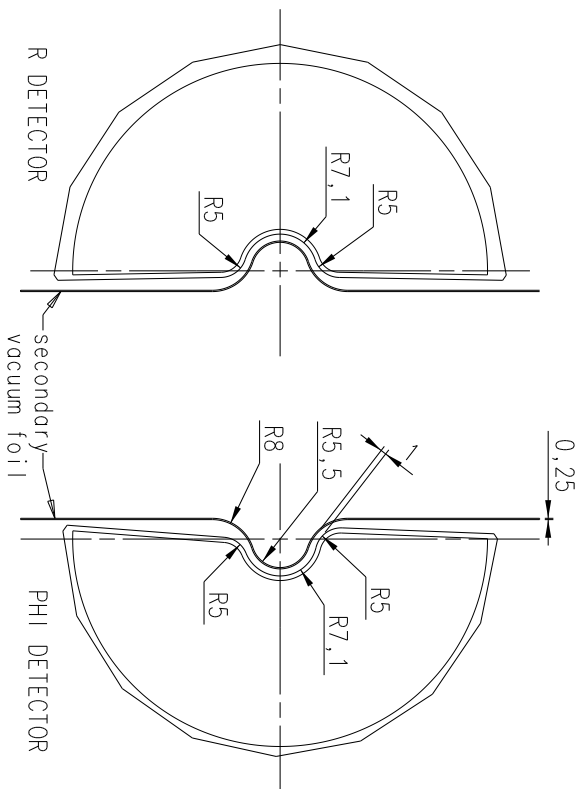


MODIFICATIONS SI TO FIT INTO THE SEC. VAC. FOIL



Project: LHCb VERTEX		Date: okt 2001							
Title: PROTO 02 Si DESIGN liverpool									
Scale: 1:1	Drawn: M.J. Kroon	Checked:	Dim. in mm						
NATIONAL INSTITUTE FOR NUCLEAR PHYSICS, AND HIGH ENERGY PHYSICS P.O.41882,1009 DB Amsterdam, The Netherlands Visitors: Kruislaan 409, 1098 SJ, Amsterdam tel: +31-(0)20-5922000 fax: +31-(0)20-5925155		<table border="1"> <tr> <th>ISO-2768-mk-E</th> <th>ISO-8015-E</th> <th>DIN 1302</th> </tr> <tr> <td>General tolerances unless otherwise stated according to</td> <td>Geometrical tolerances unless otherwise stated according to</td> <td>Roughness unless otherwise stated according to</td> </tr> </table>		ISO-2768-mk-E	ISO-8015-E	DIN 1302	General tolerances unless otherwise stated according to	Geometrical tolerances unless otherwise stated according to	Roughness unless otherwise stated according to
ISO-2768-mk-E	ISO-8015-E	DIN 1302							
General tolerances unless otherwise stated according to	Geometrical tolerances unless otherwise stated according to	Roughness unless otherwise stated according to							
Size A3	Identification No.: LHCb-TVE0003	Sheet No: X	Number of sheets: X						

This drawing may not be used for commercial purposes without written authorisation.

