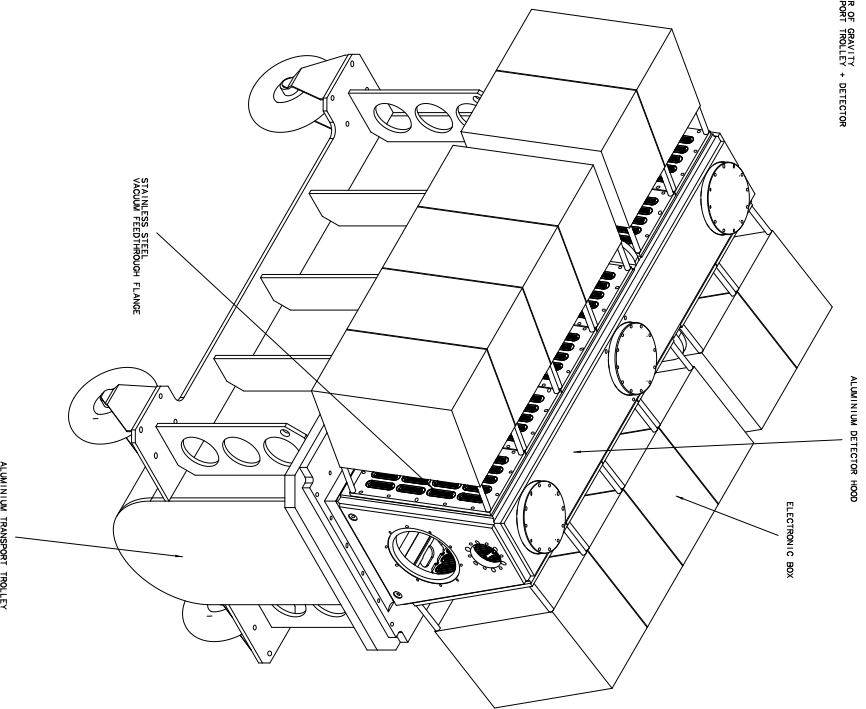


ESTIMATED WEIGHT	ELECTRONIC BOX	= 4.5 kg
CALCULATED WEIGHTS:		
DETECTOR		= 200 kg
DETECTOR + ELECTR. BOXES		= 260 kg
DETECTOR + TROLLEY		= 320 kg
DETECTOR + ELECTR. BOXES + TROLLEY		= 380 kg



Projekt Lfcb, Vertex Locator		Date:	2006
Title: CENTER OF GRAVITY		Author:	
Serial: DETECTOR TRANSPORT TROLLEY		Checked:	
Date: June 2006		Scale:	30:1
		Revision:	1
NIFE NATIONAL INSTITUTE FOR SPACE CENTER FOR SPACE TECHNOLOGY CENTER FOR SPACE SYSTEMS CENTER FOR SPACE DATA CENTER FOR SPACE SCIENCE CENTER FOR SPACE POLICY CENTER FOR SPACE EDUCATION CENTER FOR SPACE COMMUNICATIONS CENTER FOR SPACE RESEARCH CENTER FOR SPACE DEVELOPMENT CENTER FOR SPACE APPLICATIONS CENTER FOR SPACE INNOVATION CENTER FOR SPACE ENTREPRENEURSHIP CENTER FOR SPACE VENTURE CAPITAL CENTER FOR SPACE INVESTMENT CENTER FOR SPACE PARTNERSHIP CENTER FOR SPACE COOPERATION CENTER FOR SPACE COLLABORATION CENTER FOR SPACE ALLIANCE CENTER FOR SPACE PARTNERSHIP CENTER FOR SPACE COOPERATION CENTER FOR SPACE COLLABORATION CENTER FOR SPACE ALLIANCE		Drawing No.: No 1700019	