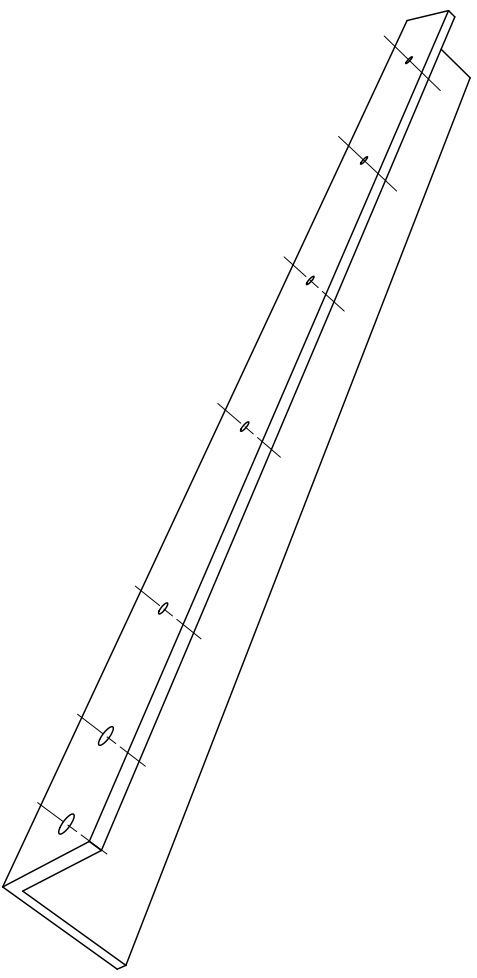


$\phi 3.88_{-0.03}^{+0.04}$ -THRU (5x)  
HOLE POSITIONS COPIED FROM COUNTERPART  
(SEE DWG.: TVC 8601)

$\phi 4.5$ -THRU (2x)



01			Stainless Steel AISI 304
PART NO.	TITLE	MATERIAL	SIZE/NOTE
01	Stiffener TOP		I.D. NO./NORM
Project: LHCB Vertex Locator /002 Cooling Rack			
Title: Stiffener TOP			
Scale: 1:1	Drawn: A.K.	Checked:	Dim. in mm
Date: 11-09-706	CERN	LAB EL	
NATIONAL INSTITUTE FOR NUCLEAR PHYSICS, P.O.4182,1009 DB, Ardenne, 1365 Brussels, Belgium		Revision	
		A	Date
		B	Name
		C	
		D	
Size	Identification No.:	Requirements unless stated otherwise	
A2	TVC 8602	ISO-2768-mk-E   ISO-8015-E   DIN 1302	
Sheet No. X Number of sheets: X			