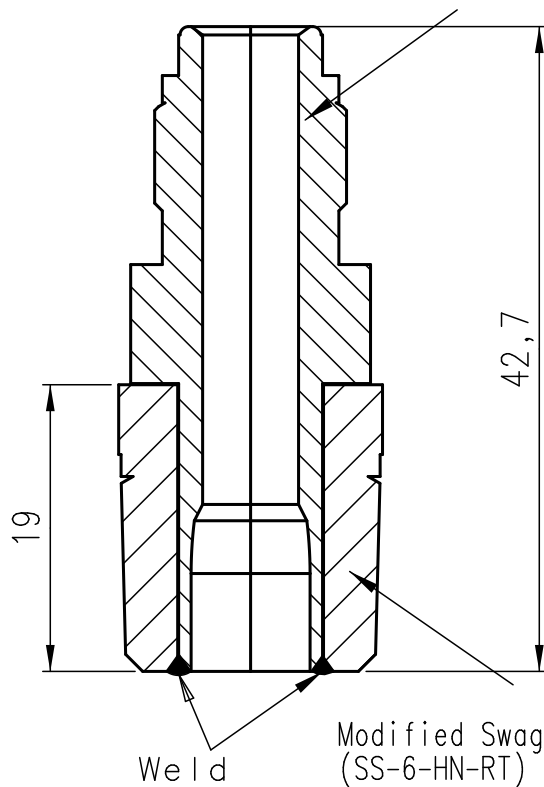
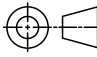



Section A-A Swagelok HVCR Tube butt weld body (6LV-4-HVCR-1-6TB7)



Modified Swagelok G3/8" nipple (SS-6-HN-RT)

Project: LHCb VERtEX LOcator		Date		Name	
Title: Pump connector Assy		Revision	A		
			B		
			C		
			D		
Scale: 2:1	Drawn: BV	 Dim. in mm		General tolerances unless otherwise stated according to ISO-2768-mK-E	
Date: 20-09-06	Checked:			Geometrical tolerances unless otherwise stated according to ISO-8015-E	
 NATIONAL INSTITUTE FOR NUCLEAR PHYSICS, AND HIGH ENERGY PHYSICS P.O.41882,1009 DB Amsterdam,The Netherlands		CERN LABEL			
		Size	Identification No.:		
		A4	TV85		
		Sheet No: X Number of sheets: X			

