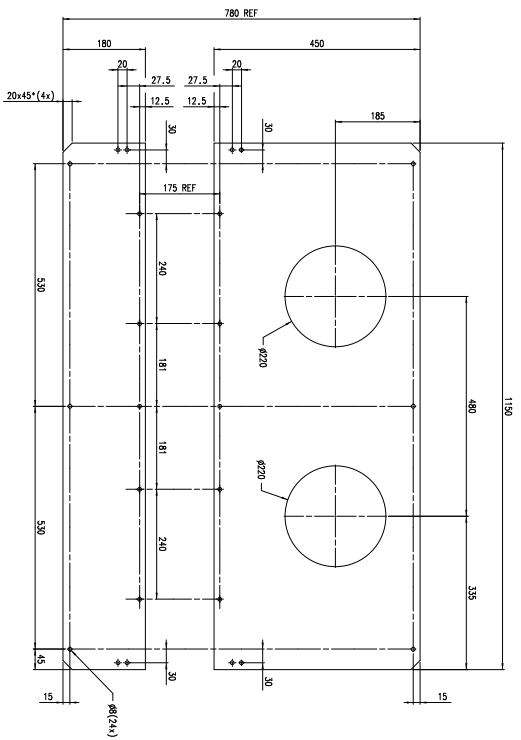


NOTE : HOLES ($\phi 220-2x$) FOR ASS'Y CO2 RACK (DWG. : TVC 62) ONLY !



DESIGNER	DATE	REVISION	MATERIAL
PROJECT	DATE	REVISION	QTY
TITLE	DATE	REVISION	NO.
SCALE	DATE	REVISION	NO.
DATE	DATE	REVISION	NO.
CHECKER	DATE	REVISION	NO.
APPROVED	DATE	REVISION	NO.
NATIONAL INSTITUTE OF PETROLEUM ENGINEERING DEPARTMENT OF MECHANICAL ENGINEERING UNIVERSITY OF PETROLEUM & TECHNOLOGICAL STUDIES DURGAPUR, WEST BENGAL, INDIA			