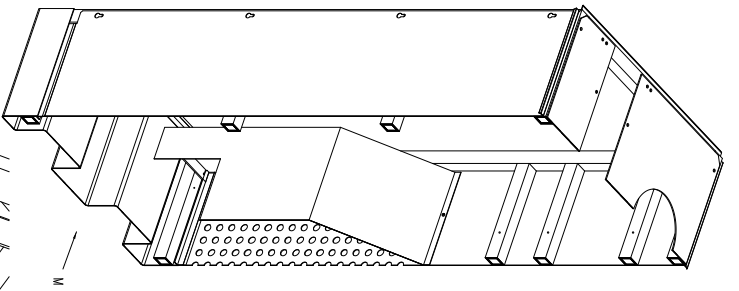
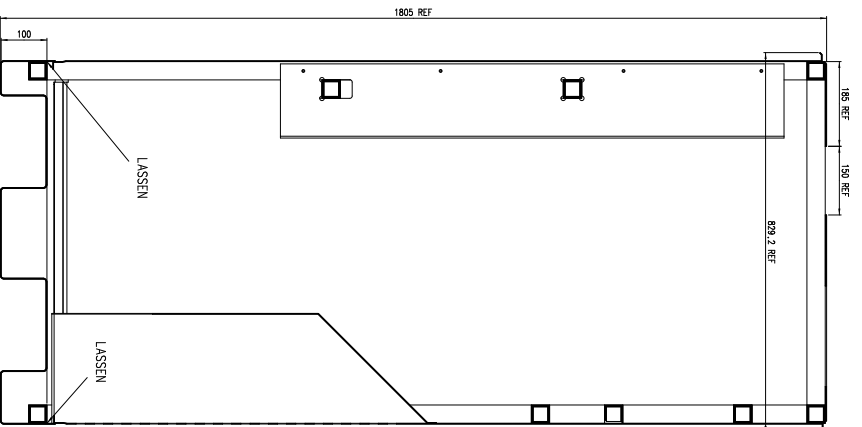


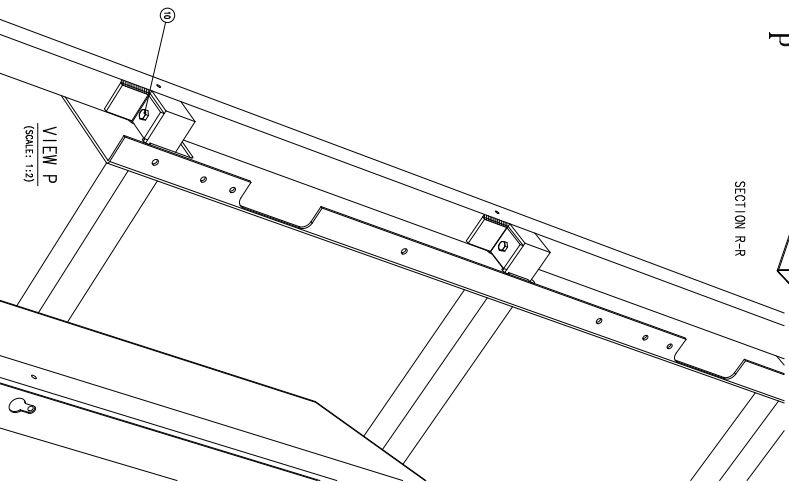
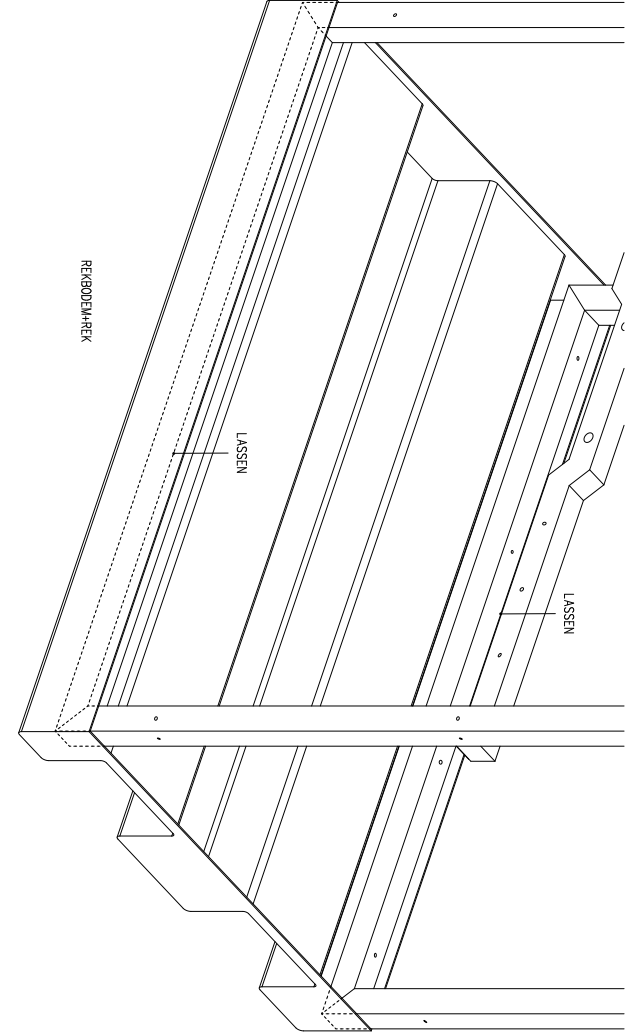
ZONDER ZIJ- EN VOORDEUR



SECTION R-R



VIEW M



VIEW P
(SCALE: 1:2)

NO	QTY	NAME	ID NO./VERSION	MATERIAL/NOTE
01	1	REKODENAREK	1805	
02	1	REKODENAREK	1805	
03	1	REKODENAREK	1805	
04	1	REKODENAREK	1805	
05	1	REKODENAREK	1805	
06	1	REKODENAREK	1805	
07	1	REKODENAREK	1805	
08	1	REKODENAREK	1805	
09	1	REKODENAREK	1805	
10	1	REKODENAREK	1805	

NIKEEF
Scherpe L.A.B.E.L. v.o.f.
K. V. v.
Scherpe L.A.B.E.L. v.o.f.
K. V. v.
Scherpe L.A.B.E.L. v.o.f.
K. V. v.

Project: LHO-Vetken Doctor
Title: ASSEMBLY REK
Scale: 1:1
Date: 01-09-2008
Author: [Name]
Checked: [Name]
Drawn: [Name]