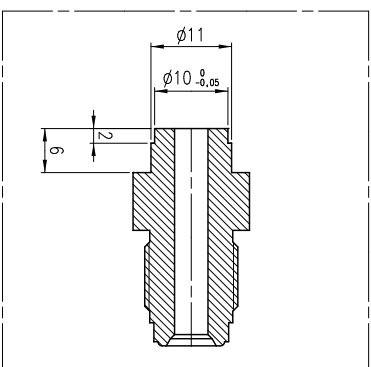
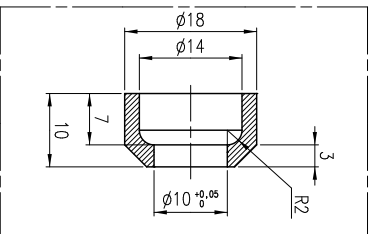
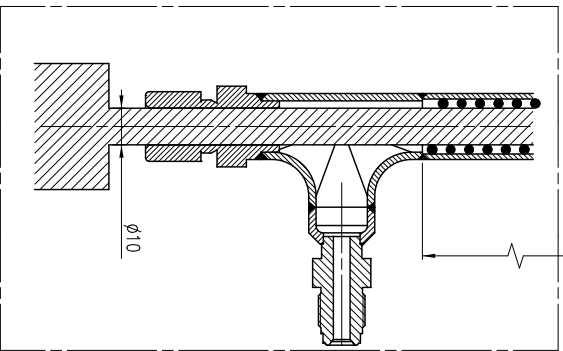
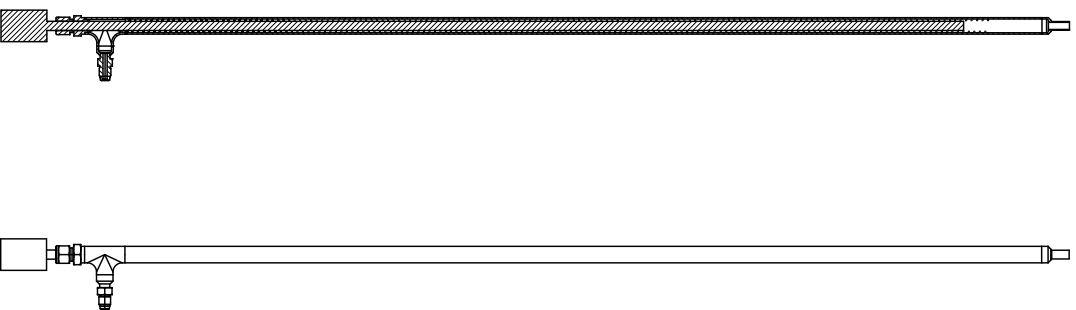


Langer laten voor testen

EERST VEER PLAATSEN DAARNA EINDLENS LASSEN



TEST DRUK 170 BAR



08	01	Veer	AISI	$\phi 15 \times \phi 10,2$ steak 6
07	01	Heater		
06	01	Swagelok	AISI	SS-10MO-1-8
05	01	Cojon	AISI	SS-4-VCr-1-4
04	01	Flens	AISI 316L	
03	01	Tstuk	AISI 316L	18X2
02	01	Pi'jp	AISI 316L	$\phi 18 \times \phi 15 \times 1000$
01	01	Flens	AISI 316L	
PART NUM- NO. BER	TITLE		MATERIAL	SIZE/NOTE I.D. NO./NORM
Project: LHcb Vertex Locator				
Title: HEATER				

Scale:	Drawn: M Doets	Checked:	Dim. in mm
Date: 11-04-2006			
CERN LABEL			
Size	Identification No.:	Revision	Date
A2	TVC 58	A	
		B	
		C	
		D	

NATIONAL INSTITUTE FOR NUCLEAR PHYSICS,
P.O.41882,1009 JB Amsterdam, The Netherlands

NIKHEF

ISO-2768-mk-EI ISO-8015-E
DIN 1302

Sheet No. X Number of sheets: X

This drawing may not be used for commercial purposes without written authorization.