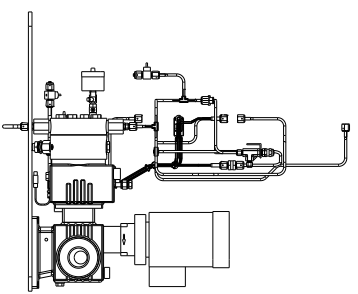
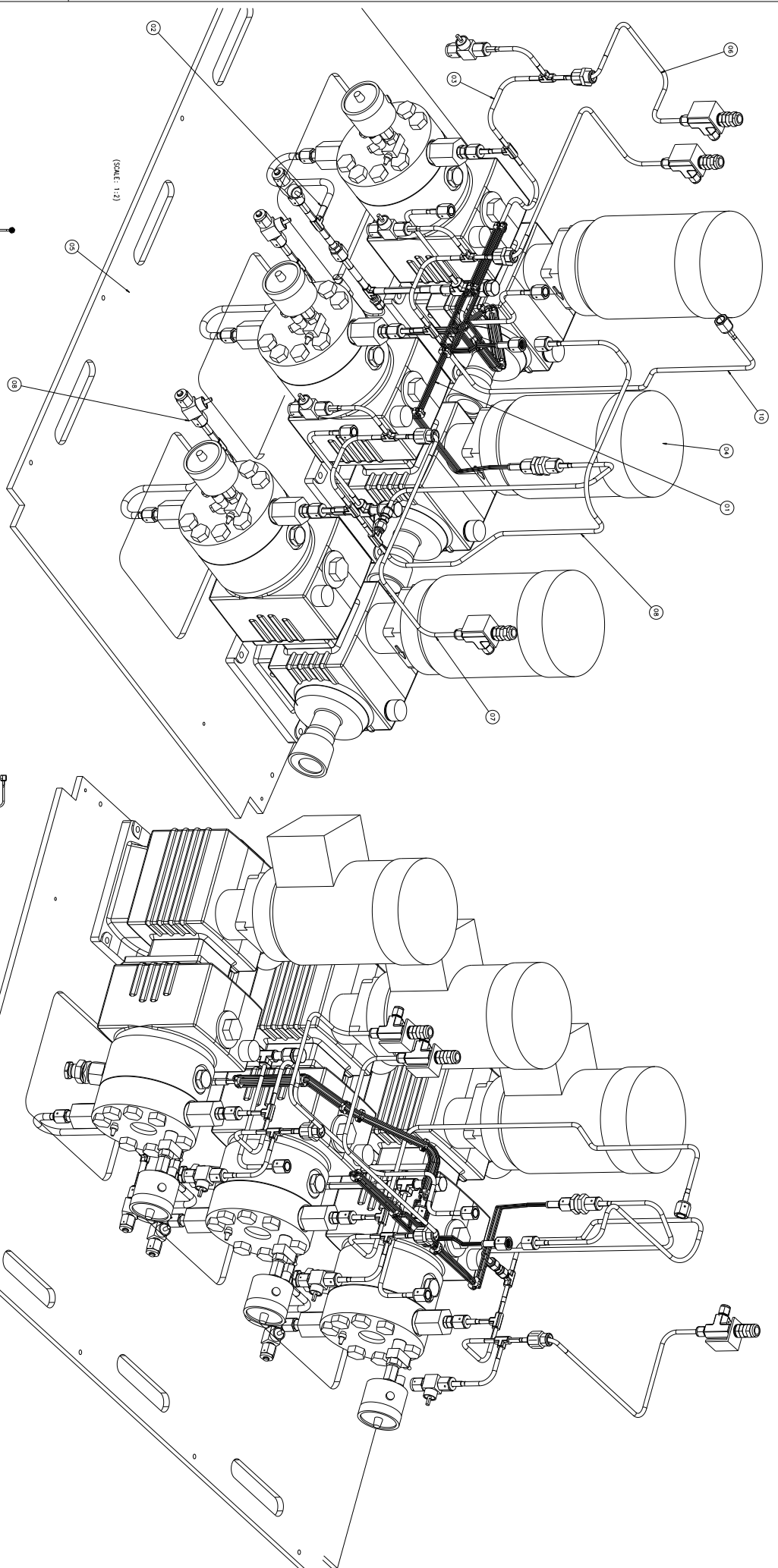


(SCALE 1:2)



10	ROTOR PUMP, TRIPLE LUBES	1000000000
11	ROTOR PUMP, TRIPLE LUBES	1000000000
12	ROTOR PUMP, TRIPLE LUBES	1000000000
13	ROTOR PUMP, TRIPLE LUBES	1000000000
14	ROTOR PUMP, TRIPLE LUBES	1000000000
15	ROTOR PUMP, TRIPLE LUBES	1000000000
16	ROTOR PUMP, TRIPLE LUBES	1000000000
17	ROTOR PUMP, TRIPLE LUBES	1000000000
18	ROTOR PUMP, TRIPLE LUBES	1000000000
19	ROTOR PUMP, TRIPLE LUBES	1000000000
20	ROTOR PUMP, TRIPLE LUBES	1000000000
21	ROTOR PUMP, TRIPLE LUBES	1000000000
22	ROTOR PUMP, TRIPLE LUBES	1000000000
23	ROTOR PUMP, TRIPLE LUBES	1000000000
24	ROTOR PUMP, TRIPLE LUBES	1000000000
25	ROTOR PUMP, TRIPLE LUBES	1000000000
26	ROTOR PUMP, TRIPLE LUBES	1000000000
27	ROTOR PUMP, TRIPLE LUBES	1000000000
28	ROTOR PUMP, TRIPLE LUBES	1000000000
29	ROTOR PUMP, TRIPLE LUBES	1000000000
30	ROTOR PUMP, TRIPLE LUBES	1000000000
31	ROTOR PUMP, TRIPLE LUBES	1000000000
32	ROTOR PUMP, TRIPLE LUBES	1000000000
33	ROTOR PUMP, TRIPLE LUBES	1000000000
34	ROTOR PUMP, TRIPLE LUBES	1000000000
35	ROTOR PUMP, TRIPLE LUBES	1000000000
36	ROTOR PUMP, TRIPLE LUBES	1000000000
37	ROTOR PUMP, TRIPLE LUBES	1000000000
38	ROTOR PUMP, TRIPLE LUBES	1000000000
39	ROTOR PUMP, TRIPLE LUBES	1000000000
40	ROTOR PUMP, TRIPLE LUBES	1000000000
41	ROTOR PUMP, TRIPLE LUBES	1000000000
42	ROTOR PUMP, TRIPLE LUBES	1000000000
43	ROTOR PUMP, TRIPLE LUBES	1000000000
44	ROTOR PUMP, TRIPLE LUBES	1000000000
45	ROTOR PUMP, TRIPLE LUBES	1000000000
46	ROTOR PUMP, TRIPLE LUBES	1000000000
47	ROTOR PUMP, TRIPLE LUBES	1000000000
48	ROTOR PUMP, TRIPLE LUBES	1000000000
49	ROTOR PUMP, TRIPLE LUBES	1000000000
50	ROTOR PUMP, TRIPLE LUBES	1000000000
51	ROTOR PUMP, TRIPLE LUBES	1000000000
52	ROTOR PUMP, TRIPLE LUBES	1000000000
53	ROTOR PUMP, TRIPLE LUBES	1000000000
54	ROTOR PUMP, TRIPLE LUBES	1000000000
55	ROTOR PUMP, TRIPLE LUBES	1000000000
56	ROTOR PUMP, TRIPLE LUBES	1000000000
57	ROTOR PUMP, TRIPLE LUBES	1000000000
58	ROTOR PUMP, TRIPLE LUBES	1000000000
59	ROTOR PUMP, TRIPLE LUBES	1000000000
60	ROTOR PUMP, TRIPLE LUBES	1000000000
61	ROTOR PUMP, TRIPLE LUBES	1000000000
62	ROTOR PUMP, TRIPLE LUBES	1000000000
63	ROTOR PUMP, TRIPLE LUBES	1000000000
64	ROTOR PUMP, TRIPLE LUBES	1000000000
65	ROTOR PUMP, TRIPLE LUBES	1000000000
66	ROTOR PUMP, TRIPLE LUBES	1000000000
67	ROTOR PUMP, TRIPLE LUBES	1000000000
68	ROTOR PUMP, TRIPLE LUBES	1000000000
69	ROTOR PUMP, TRIPLE LUBES	1000000000
70	ROTOR PUMP, TRIPLE LUBES	1000000000
71	ROTOR PUMP, TRIPLE LUBES	1000000000
72	ROTOR PUMP, TRIPLE LUBES	1000000000
73	ROTOR PUMP, TRIPLE LUBES	1000000000
74	ROTOR PUMP, TRIPLE LUBES	1000000000
75	ROTOR PUMP, TRIPLE LUBES	1000000000
76	ROTOR PUMP, TRIPLE LUBES	1000000000
77	ROTOR PUMP, TRIPLE LUBES	1000000000
78	ROTOR PUMP, TRIPLE LUBES	1000000000
79	ROTOR PUMP, TRIPLE LUBES	1000000000
80	ROTOR PUMP, TRIPLE LUBES	1000000000
81	ROTOR PUMP, TRIPLE LUBES	1000000000
82	ROTOR PUMP, TRIPLE LUBES	1000000000
83	ROTOR PUMP, TRIPLE LUBES	1000000000
84	ROTOR PUMP, TRIPLE LUBES	1000000000
85	ROTOR PUMP, TRIPLE LUBES	1000000000
86	ROTOR PUMP, TRIPLE LUBES	1000000000
87	ROTOR PUMP, TRIPLE LUBES	1000000000
88	ROTOR PUMP, TRIPLE LUBES	1000000000
89	ROTOR PUMP, TRIPLE LUBES	1000000000
90	ROTOR PUMP, TRIPLE LUBES	1000000000
91	ROTOR PUMP, TRIPLE LUBES	1000000000
92	ROTOR PUMP, TRIPLE LUBES	1000000000
93	ROTOR PUMP, TRIPLE LUBES	1000000000
94	ROTOR PUMP, TRIPLE LUBES	1000000000
95	ROTOR PUMP, TRIPLE LUBES	1000000000
96	ROTOR PUMP, TRIPLE LUBES	1000000000
97	ROTOR PUMP, TRIPLE LUBES	1000000000
98	ROTOR PUMP, TRIPLE LUBES	1000000000
99	ROTOR PUMP, TRIPLE LUBES	1000000000
100	ROTOR PUMP, TRIPLE LUBES	1000000000

Project: UDA Valve Overhaul/Coil reqd
 Title: Pump B01 S

Scale: 1:5
 Date: 08-20-08
 Checked: [Signature]
 Drawn: [Signature]

Part No: 1000000000
 Rev: 0
 Qty: 1

Material: [Material]
 Finish: [Finish]

Notes: [Notes]

Author: [Author]
 Date: [Date]

Checked: [Checked]
 Date: [Date]

Drawn: [Drawn]
 Date: [Date]

Project: [Project]
 Title: [Title]

Scale: [Scale]
 Date: [Date]

Part No: [Part No]
 Rev: [Rev]

Material: [Material]
 Finish: [Finish]

Notes: [Notes]

Author: [Author]
 Date: [Date]

Checked: [Checked]
 Date: [Date]

Drawn: [Drawn]
 Date: [Date]

Project: [Project]
 Title: [Title]

Scale: [Scale]
 Date: [Date]

Part No: [Part No]
 Rev: [Rev]

Material: [Material]
 Finish: [Finish]

Notes: [Notes]

Author: [Author]
 Date: [Date]

Checked: [Checked]
 Date: [Date]

Drawn: [Drawn]
 Date: [Date]

Project: [Project]
 Title: [Title]

Scale: [Scale]
 Date: [Date]

Part No: [Part No]
 Rev: [Rev]

Material: [Material]
 Finish: [Finish]

Notes: [Notes]

Author: [Author]
 Date: [Date]

Checked: [Checked]
 Date: [Date]

Drawn: [Drawn]
 Date: [Date]

Project: [Project]
 Title: [Title]