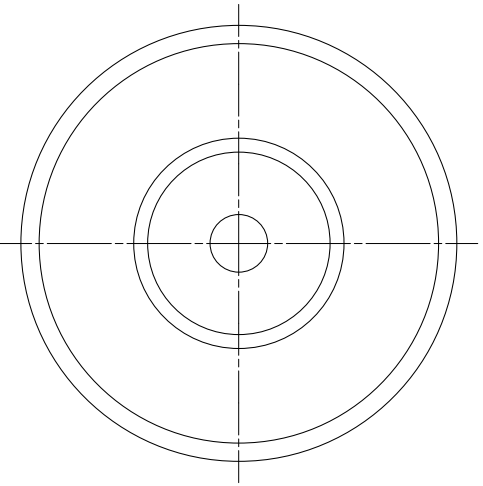
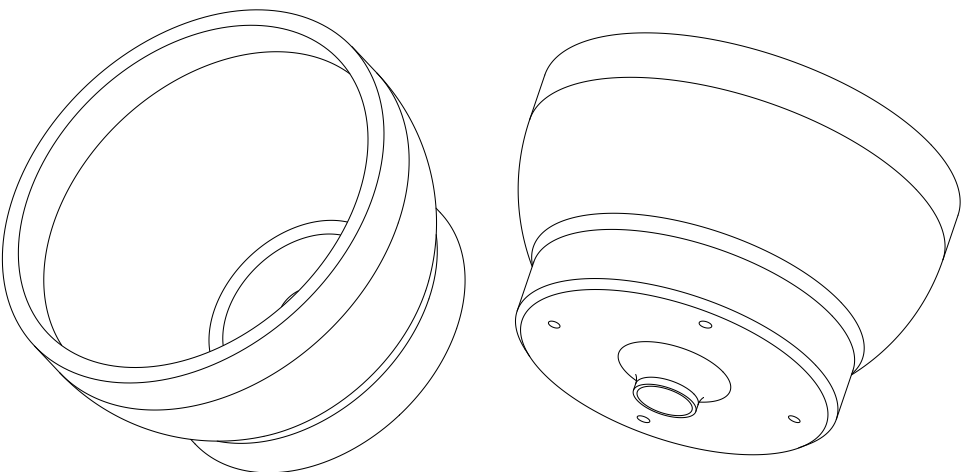


CROSS SECTION A-A



01									
PART NUMBER	TITLE	MATERIAL	SIZE/NOTE	I. D. NO./NGRM					
NO. 1	Project: LHCB Vertex Locator								
Title: SPHERE TOP ACCUMULATOR									
Scale: 1:1	Drawn: MJ Kraan	Checked: [Signature]	Date	Name					
Date: May 2006									
NATIONAL INSTITUTE FOR NUCLEAR PHYSICS P.O. BOX 105, 37200 BOMMELEN, THE NETHERLANDS									
This drawing may not be used for commercial purposes without written authorization.									
Sheet No. X	Number of sheets: X								
Rev	Identification No.:								
A1	TVC 5105								