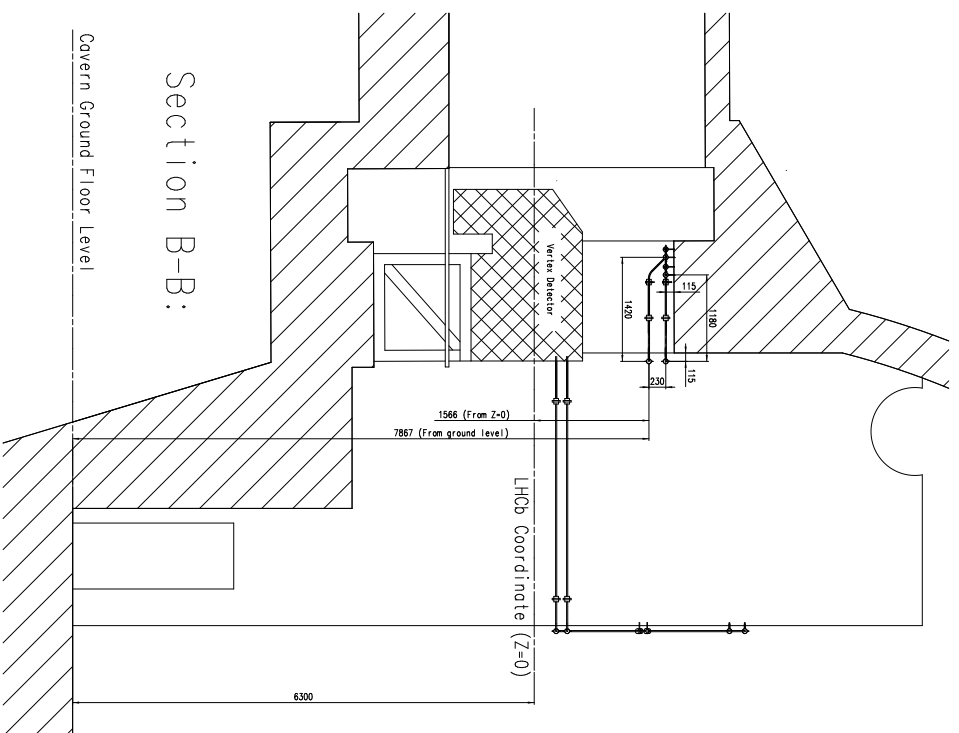
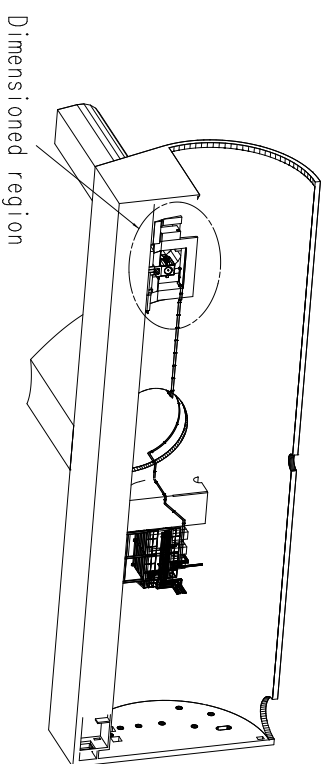
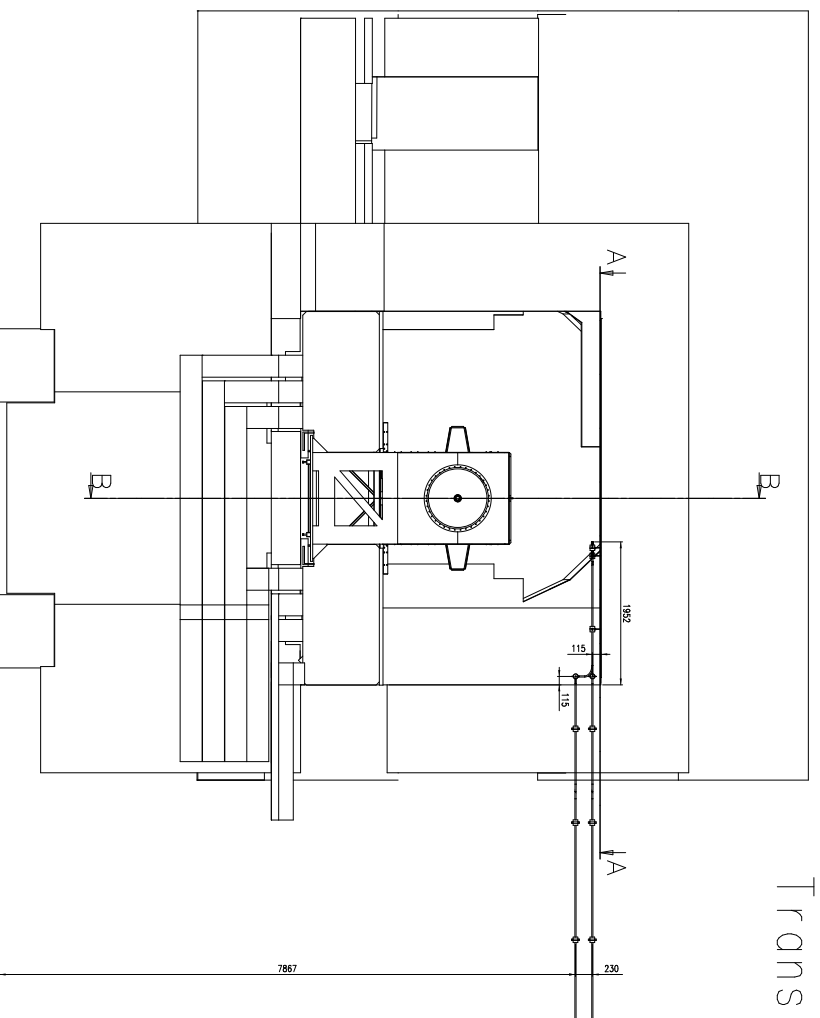
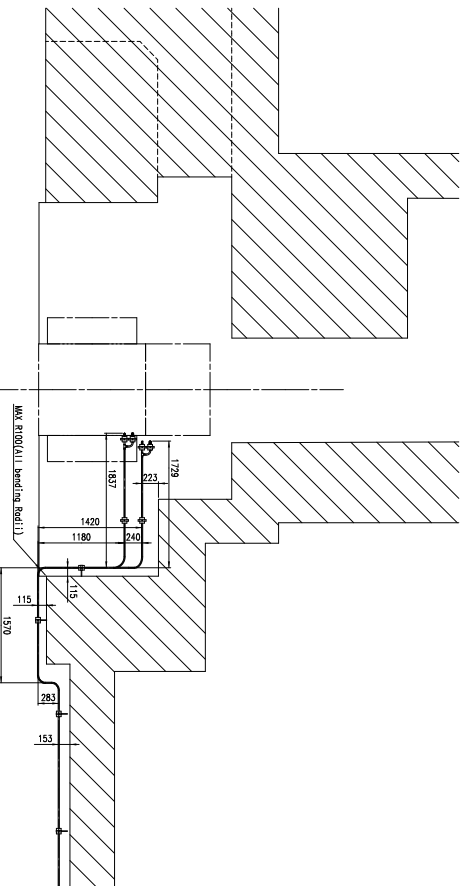


# Transfer tube details at detector cave



Section B-B:

Covern Ground Floor Level



Section A-A:

NO.	REVISION	TITLE	MATERIAL	SIZE/WEIGHT	LOT NO./QTY
1	A	Project LHCb Vertex Locator		1.0	
2	B	Title: YFS Conceptor			
3	C	Scale: 1:25			
4	D	Date: 20-10-05			
5	E	Author: YFS			
6	F	Checked: YFS			
7	G	Drawn: YFS			
8	H	Scale: 1:25			
9	I	Date: 20-10-05			
10	J	Author: YFS			
11	K	Checked: YFS			
12	L	Drawn: YFS			
13	M	Scale: 1:25			
14	N	Date: 20-10-05			
15	O	Author: YFS			
16	P	Checked: YFS			
17	Q	Drawn: YFS			
18	R	Scale: 1:25			
19	S	Date: 20-10-05			
20	T	Author: YFS			
21	U	Checked: YFS			
22	V	Drawn: YFS			
23	W	Scale: 1:25			
24	X	Date: 20-10-05			
25	Y	Author: YFS			
26	Z	Checked: YFS			
27	AA	Drawn: YFS			
28	AB	Scale: 1:25			
29	AC	Date: 20-10-05			
30	AD	Author: YFS			
31	AE	Checked: YFS			
32	AF	Drawn: YFS			
33	AG	Scale: 1:25			
34	AH	Date: 20-10-05			
35	AI	Author: YFS			
36	AJ	Checked: YFS			
37	AK	Drawn: YFS			
38	AL	Scale: 1:25			
39	AM	Date: 20-10-05			
40	AN	Author: YFS			
41	AO	Checked: YFS			
42	AP	Drawn: YFS			
43	AQ	Scale: 1:25			
44	AR	Date: 20-10-05			
45	AS	Author: YFS			
46	AT	Checked: YFS			
47	AU	Drawn: YFS			
48	AV	Scale: 1:25			
49	AW	Date: 20-10-05			
50	AX	Author: YFS			
51	AY	Checked: YFS			
52	AZ	Drawn: YFS			
53	BA	Scale: 1:25			
54	BB	Date: 20-10-05			
55	BC	Author: YFS			
56	BD	Checked: YFS			
57	BE	Drawn: YFS			
58	BF	Scale: 1:25			
59	BG	Date: 20-10-05			
60	BH	Author: YFS			
61	BI	Checked: YFS			
62	BJ	Drawn: YFS			
63	BK	Scale: 1:25			
64	BL	Date: 20-10-05			
65	BM	Author: YFS			
66	BN	Checked: YFS			
67	BO	Drawn: YFS			
68	BP	Scale: 1:25			
69	BQ	Date: 20-10-05			
70	BR	Author: YFS			
71	BS	Checked: YFS			
72	BT	Drawn: YFS			
73	BU	Scale: 1:25			
74	BV	Date: 20-10-05			
75	BW	Author: YFS			
76	BX	Checked: YFS			
77	BY	Drawn: YFS			
78	BZ	Scale: 1:25			
79	CA	Date: 20-10-05			
80	CB	Author: YFS			
81	CC	Checked: YFS			
82	CD	Drawn: YFS			
83	CE	Scale: 1:25			
84	CF	Date: 20-10-05			
85	CG	Author: YFS			
86	CH	Checked: YFS			
87	CI	Drawn: YFS			
88	CJ	Scale: 1:25			
89	CK	Date: 20-10-05			
90	CL	Author: YFS			
91	CM	Checked: YFS			
92	CN	Drawn: YFS			
93	CO	Scale: 1:25			
94	CP	Date: 20-10-05			
95	CQ	Author: YFS			
96	CR	Checked: YFS			
97	CS	Drawn: YFS			
98	CT	Scale: 1:25			
99	CU	Date: 20-10-05			
100	CV	Author: YFS			
101	CU	Checked: YFS			
102	CV	Drawn: YFS			
103	CW	Scale: 1:25			
104	CV	Date: 20-10-05			
105	CV	Author: YFS			
106	CV	Checked: YFS			
107	CV	Drawn: YFS			
108	CV	Scale: 1:25			
109	CV	Date: 20-10-05			
110	CV	Author: YFS			
111	CV	Checked: YFS			
112	CV	Drawn: YFS			
113	CV	Scale: 1:25			
114	CV	Date: 20-10-05			
115	CV	Author: YFS			
116	CV	Checked: YFS			
117	CV	Drawn: YFS			
118	CV	Scale: 1:25			
119	CV	Date: 20-10-05			
120	CV	Author: YFS			
121	CV	Checked: YFS			
122	CV	Drawn: YFS			
123	CV	Scale: 1:25			
124	CV	Date: 20-10-05			
125	CV	Author: YFS			
126	CV	Checked: YFS			
127	CV	Drawn: YFS			
128	CV	Scale: 1:25			
129	CV	Date: 20-10-05			
130	CV	Author: YFS			
131	CV	Checked: YFS			
132	CV	Drawn: YFS			
133	CV	Scale: 1:25			
134	CV	Date: 20-10-05			
135	CV	Author: YFS			
136	CV	Checked: YFS			
137	CV	Drawn: YFS			
138	CV	Scale: 1:25			
139	CV	Date: 20-10-05			
140	CV	Author: YFS			
141	CV	Checked: YFS			
142	CV	Drawn: YFS			
143	CV	Scale: 1:25			
144	CV	Date: 20-10-05			
145	CV	Author: YFS			
146	CV	Checked: YFS			
147	CV	Drawn: YFS			
148	CV	Scale: 1:25			
149	CV	Date: 20-10-05			
150	CV	Author: YFS			
151	CV	Checked: YFS			
152	CV	Drawn: YFS			
153	CV	Scale: 1:25			
154	CV	Date: 20-10-05			
155	CV	Author: YFS			
156	CV	Checked: YFS			
157	CV	Drawn: YFS			
158	CV	Scale: 1:25			
159	CV	Date: 20-10-05			
160	CV	Author: YFS			
161	CV	Checked: YFS			
162	CV	Drawn: YFS			
163	CV	Scale: 1:25			
164	CV	Date: 20-10-05			
165	CV	Author: YFS			
166	CV	Checked: YFS			
167	CV	Drawn: YFS			
168	CV	Scale: 1:25			
169	CV	Date: 20-10-05			
170	CV	Author: YFS			
171	CV	Checked: YFS			
172	CV	Drawn: YFS			
173	CV	Scale: 1:25			
174	CV	Date: 20-10-05			
175	CV	Author: YFS			
176	CV	Checked: YFS			
177	CV	Drawn: YFS			
178	CV	Scale: 1:25			
179	CV	Date: 20-10-05			
180	CV	Author: YFS			
181	CV	Checked: YFS			
182	CV	Drawn: YFS			
183	CV	Scale: 1:25			
184	CV	Date: 20-10-05			
185	CV	Author: YFS			
186	CV	Checked: YFS			
187	CV	Drawn: YFS			
188	CV	Scale: 1:25			
189	CV	Date: 20-10-05			
190	CV	Author: YFS			
191	CV	Checked: YFS			
192	CV	Drawn: YFS			
193	CV	Scale: 1:25			
194	CV	Date: 20-10-05			
195	CV	Author: YFS			
196	CV	Checked: YFS			
197	CV	Drawn: YFS			
198	CV	Scale: 1:25			
199	CV	Date: 20-10-05			
200	CV	Author: YFS			