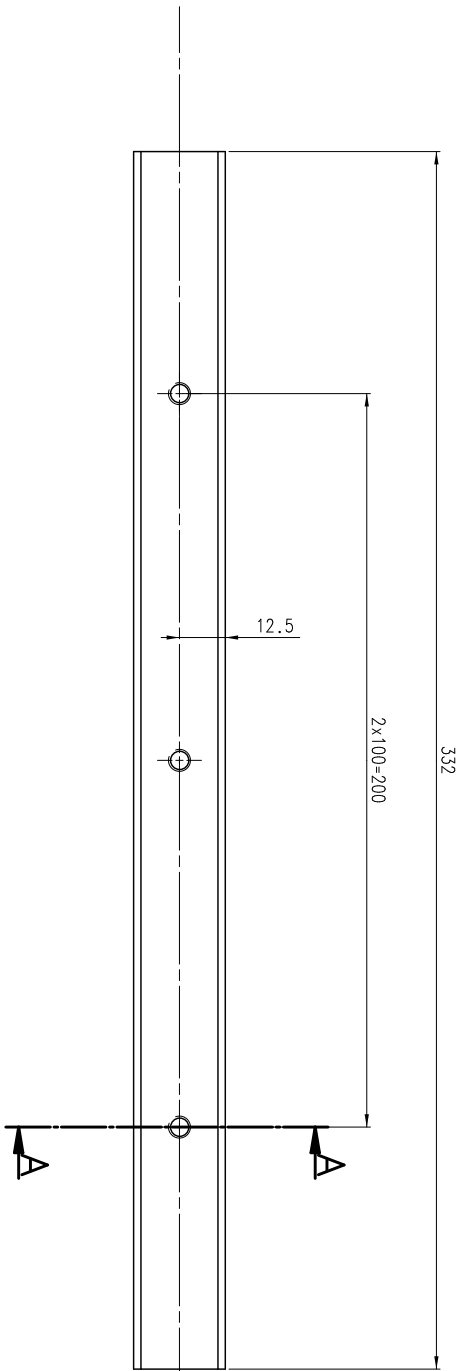
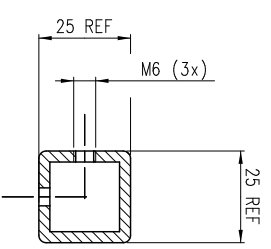
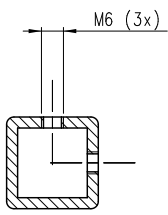


SECTION B-B



SECTION A-A



01	XX	XX	STAINLESS STEEL AISI 304L ; RECT. TUBE 25,25,3															
PART NO.	NUM-BER	TITLE	MATERIAL															
Project: LHCB Vertex Locator / VTCS Bridge																		
Title: Tube C																		
Scale: 1:1	Drawn: A.K.	Checked:	Dim. in mm															
Date: 26-02-'07	CERN LABEL																	
<table border="1"> <tr> <td>Revision</td> <td>Date</td> <td>Name</td> </tr> <tr> <td>A</td> <td></td> <td></td> </tr> <tr> <td>B</td> <td></td> <td></td> </tr> <tr> <td>C</td> <td></td> <td></td> </tr> <tr> <td>D</td> <td></td> <td></td> </tr> </table>				Revision	Date	Name	A			B			C			D		
Revision	Date	Name																
A																		
B																		
C																		
D																		
NATIONAL INSTITUTE FOR NUCLEAR PHYSICS, P.O. BOX 1059, 37200 Breda, The Netherlands This drawing may not be used for commercial purposes without written authorization.																		
Size A2		Identification No.: TVC 114 03																
Sheet No. 1		Number of sheets 1																

