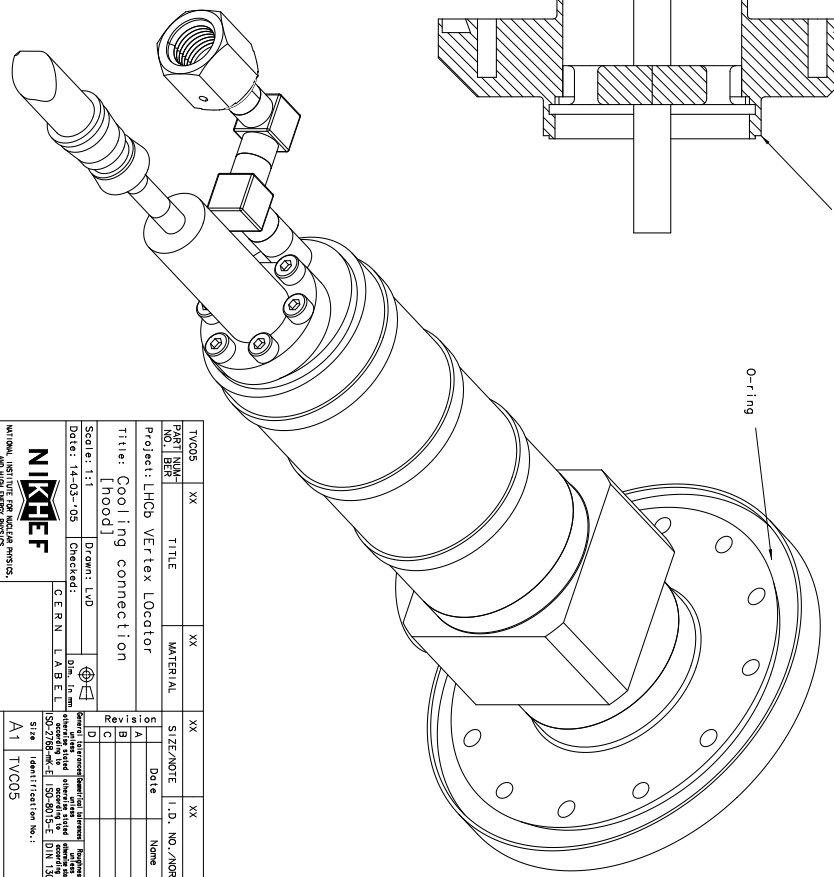


SECTION A-A  
scale 1,5:1



TUCDS	XX	XX	XX	XX
PART NO.	TITLE	MATERIAL	SIZE/NOTE	I. D. NO./NORM
NO.   BER			Date	None
Project: LHC Vertex Locator				
Title: Cooling connection hood				
Scale: 1:1	Drawn: LVD	Checked:		
Date: 14-03--05	Dim. in mm	CERN LABEL		
D: Designation A: Drawing B: Revision C: Material R: Remark S: Specification T: Title U: Unit V: Verification W: Working drawing X: Drawing Y: Drawing Z: Drawing				
NATIONAL INSTITUT FÜR KERNPHYSIK P.O. BOX 1055, A-1050 VIENNA, AUSTRIA This drawing may not be used for commercial purposes without written authorization.				