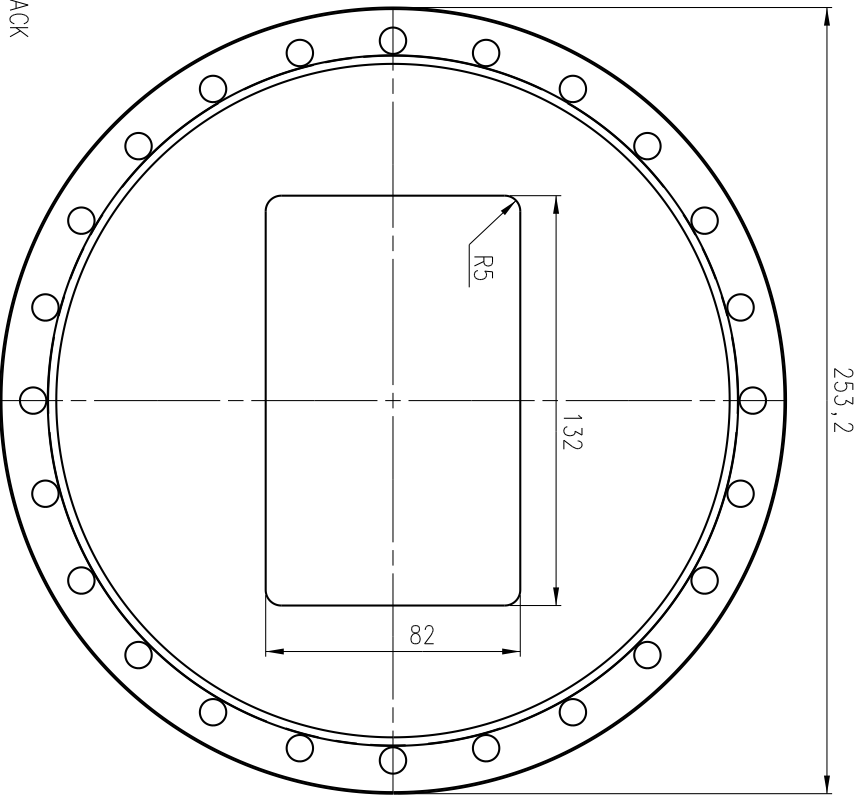
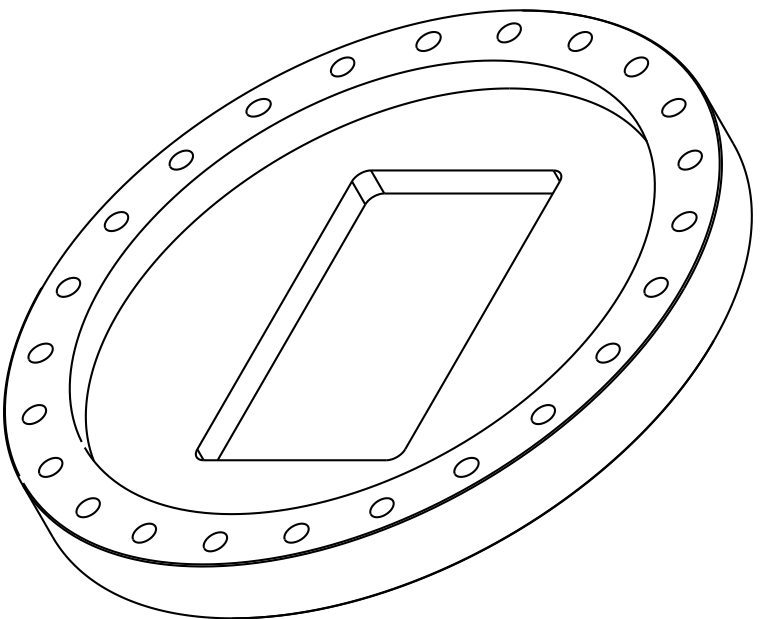


CROSS SECTION AA



BACK



PART NO.	02	01	CF 200 ROT	316L	XX	XX
NUM-BER			TITLE	MATERIAL	SIZE/NORM	I. D. NO./NORM
Project: LHCB VC						
Title: CF 200 ROT						

Scale: X: X	Drawn: M DEETS	Checked:	Dim. in mm
Date: 20-03-2001			

NIKHEF
 NATIONAL INSTITUTE FOR NUCLEAR PHYSICS,
 AND HIGH ENERGY PHYSICS
 P.O. 41882, 1009 DB Amsterdam, The Netherlands
 Visitors: Kruisstraat 409, 1098 SJ, Amsterdam
 tel.: +31 - (0)20 - 5922000
 fax: +31 - (0)20 - 5925155

Size	A3	Identification No.:	LVI 1704
Sheet No:	X	Number of sheets:	X

This drawing may not be used for commercial purposes without written authorisation.

