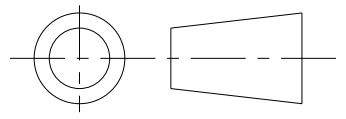
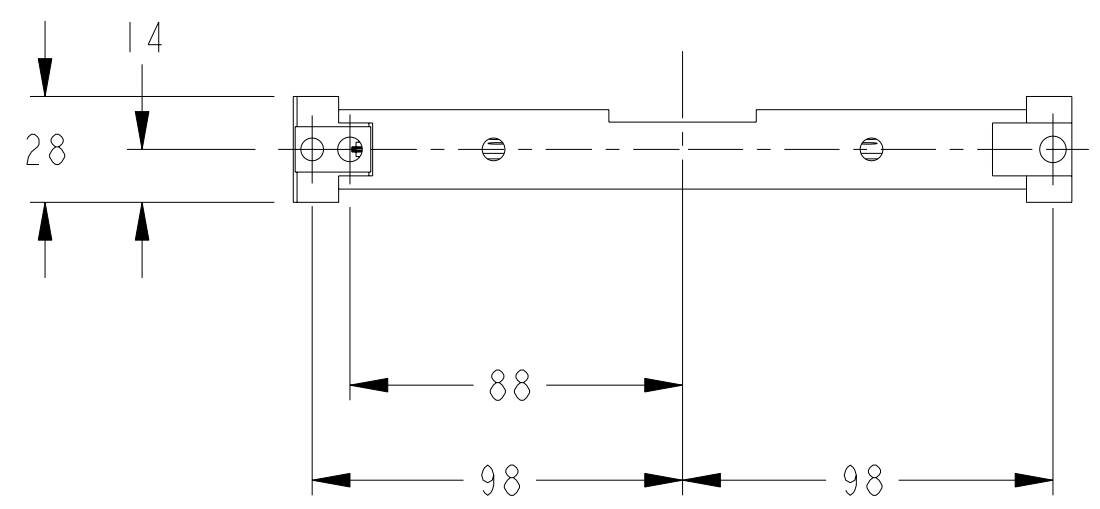
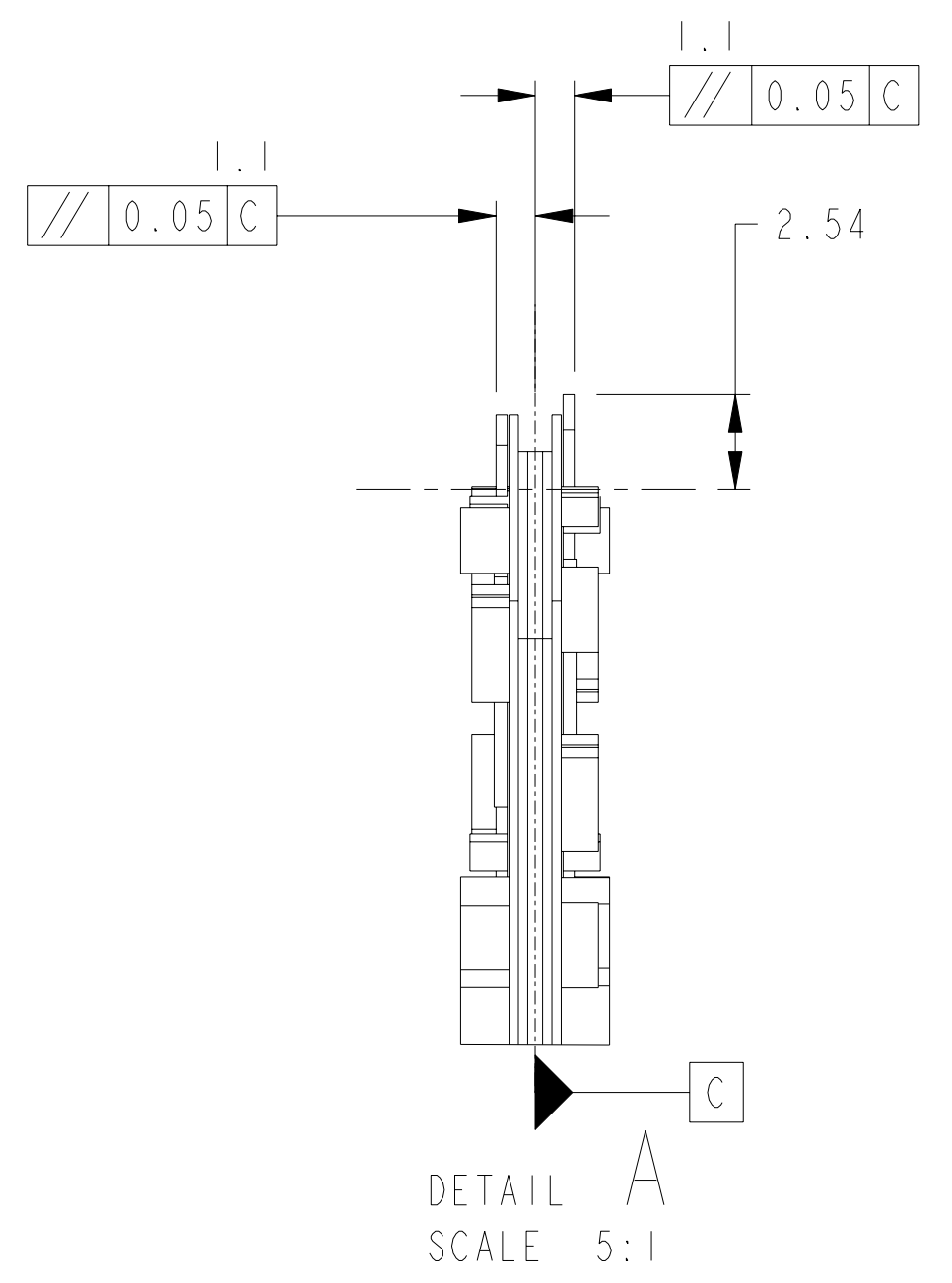
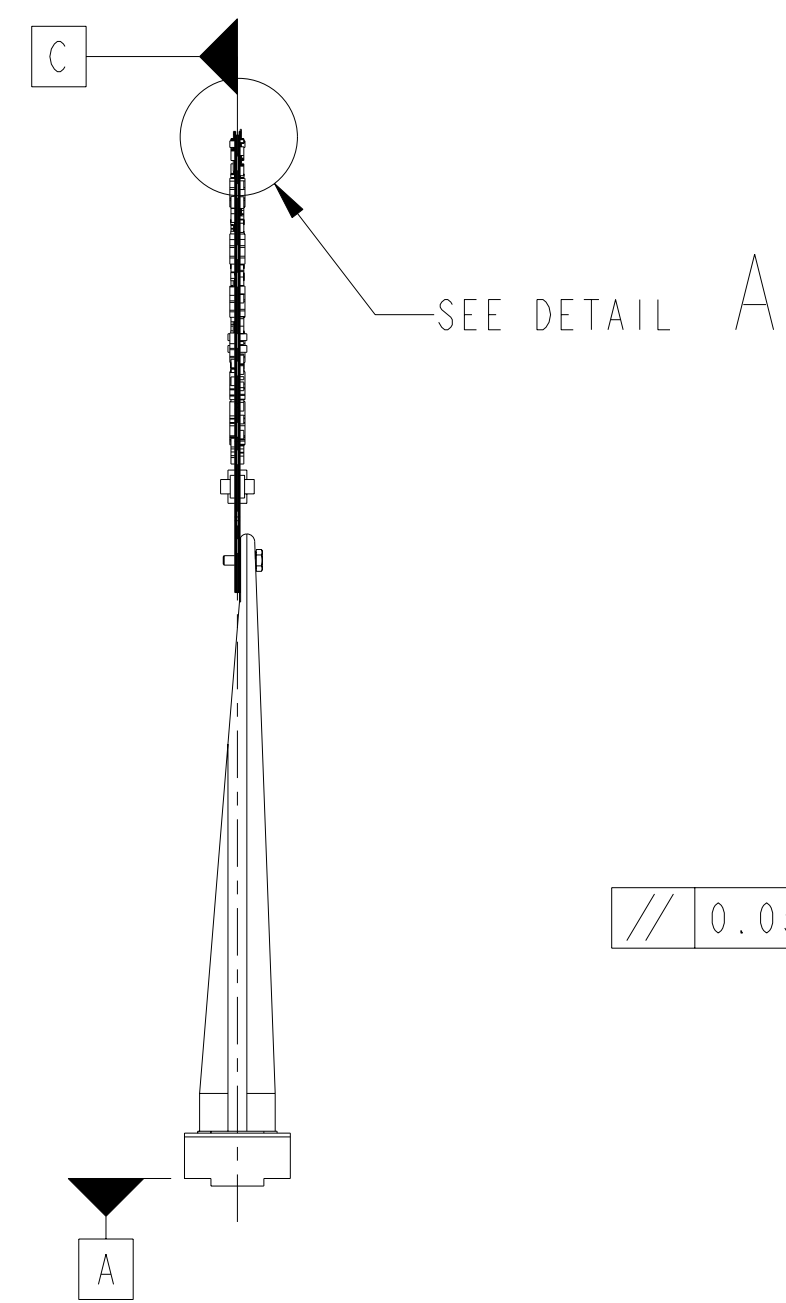
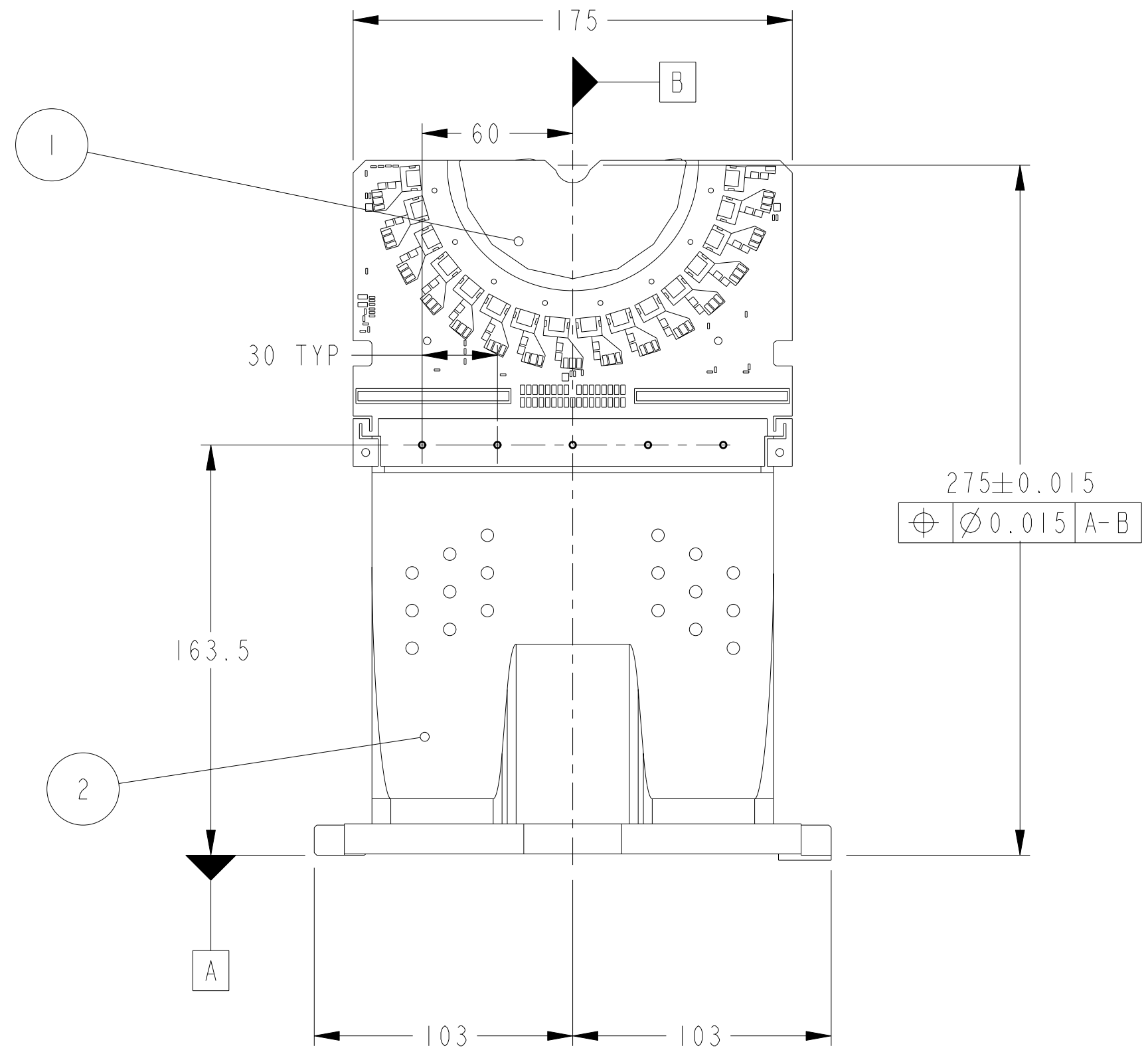


THIRD ANGLE PROJECTION



ITEM	PART/CAD No	DWG TITLE	MATERIAL	REMARK	QTY
1	NP31-01-138	HYBRID ASSY.			1
2	NP31-01-137	PADDLE ASSEMBLY			1



UNLESS OTHERWISE SPECIFIED:- ALL DIMENSIONS IN MILLIMETRES SURFACE TEXTURE VALUES IN MICROMETRES SURFACE TEXTURE TO BE 3.200 ✓ MACHINE ALL OVER OR WHERE MARKED ✓ REMOVE BURRS AND BREAK SHARP EDGES	METRIC SCREW THREADS TO BS3643 CLASS 6H/6g	DRAWING PRACTICE AND TOLERANCE INTERPRETATION TO BS308	WELDING SYMBOLS TO BS 499	
	TOLERANCES UNLESS OTHERWISE SPECIFIED	MATERIAL	DRAWN	J.L.CARROLL
	MACHINED DIMS. ± 0.250	SPEC	DATE	02-Mar-05
	ANGULAR ± 0.250 °	TREATMENT	CHECKED	T.BOWCOCK
		FINISH	APPROVED	T.BOWCOCK

<b>THE UNIVERSITY OF LIVERPOOL</b> DEPARTMENT OF PHYSICS			
PROJECT LHCb VELO			
TITLE STATION ASSEMBLY			
DRAWING NUMBER NP31-01-139			ARRGT. DRAWING
SHEET 1	OF	1 SHEETS	SCALE:- 1:2

ISSUE	DATE	NAME	DESCRIPTION
A	02-Mar-05	J.L.CARROLL	FIRST ISSUE
MODIFICATIONS			