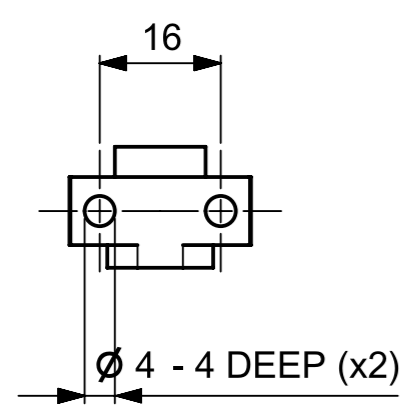
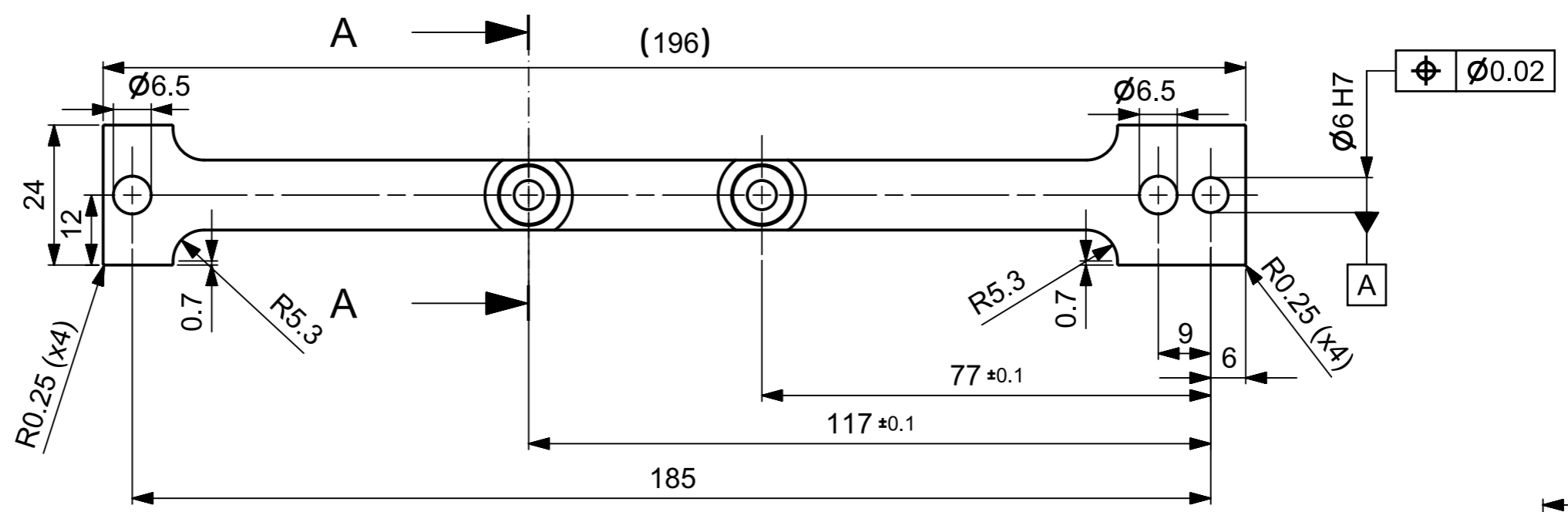
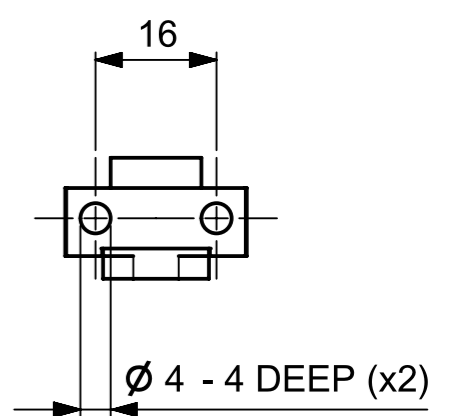
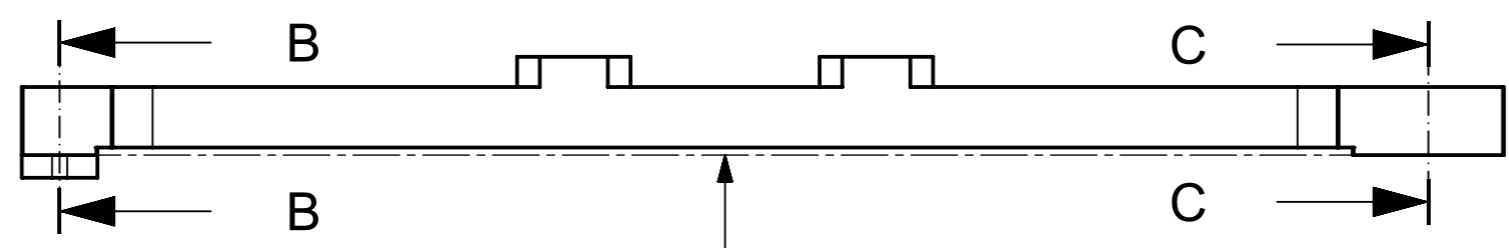


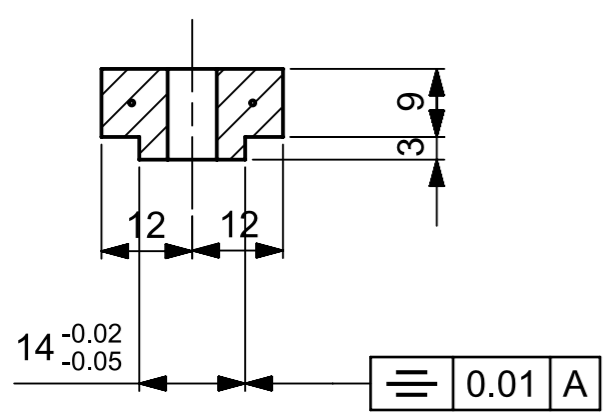
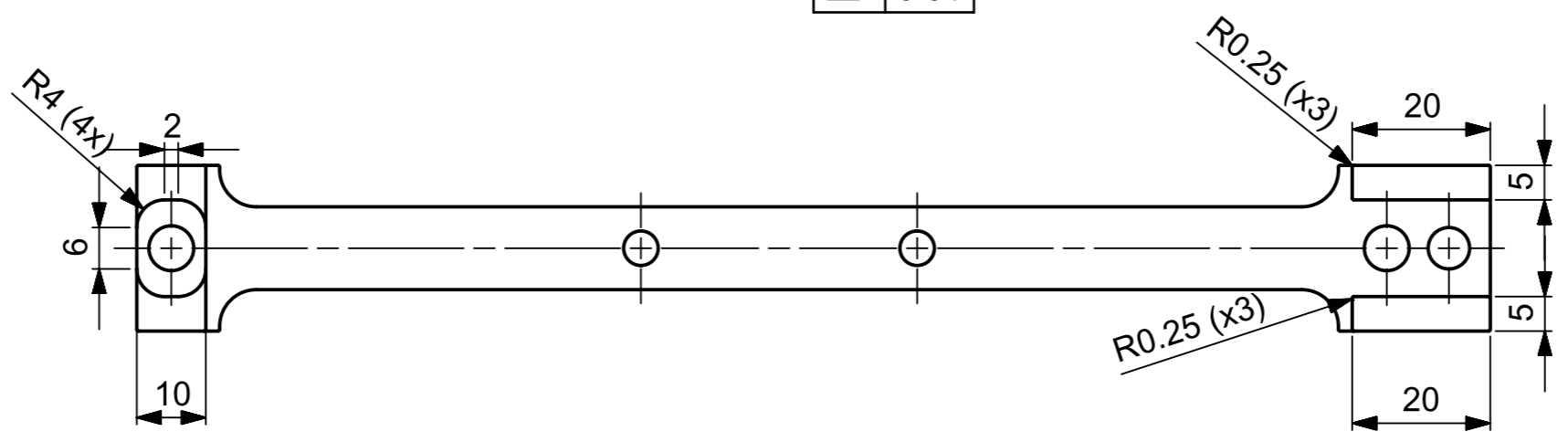
SECTION A-A



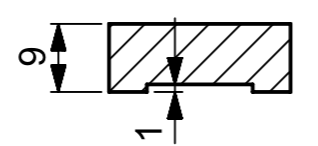
Ø 4 - 4 DEEP (x2)



Ø 4 - 4 DEEP (x2)

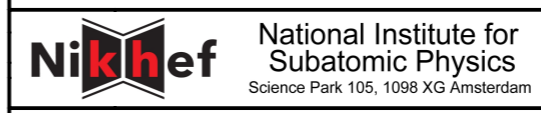


SECTION B-B



SECTION C-C

Tolerances unless otherwise stated:		General: ISO-2768-mK-E	+0.1	Material: Aluminium 5083		
		Geometrical: ISO-8015-E		Units: mm	Date: 18-Jul-2017	Mass (kg) 0.057
		Roughness: ISO-1302		Scale: 1:1	Engineer: Sanders, F	
Project: 103360-LHCb VELO Upgrade			Checked: Sanders, F (fsanders)	18-Jul-2017		
Name: Module foot				Document number: 003566-F-dwg1		
			Item number: 003566	Revision: F		
				Status: Proto		



This drawing may not be used for commercial purposes without written authorisation.