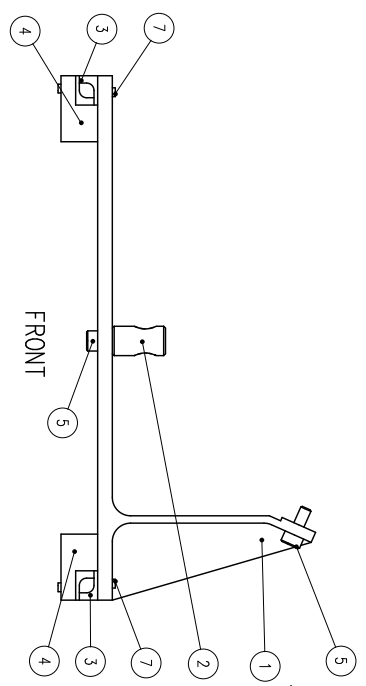
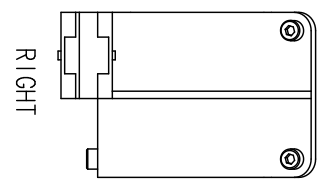


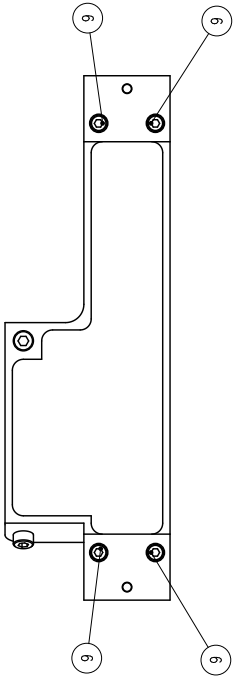
TOP



FRONT

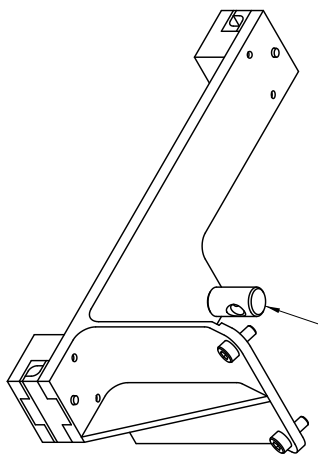


RIGHT



BOTTOM

FOR INFORMATION ONLY



Replace existing Ibea insert  
by modified insert ASM2504

NOTE 1: Remove remaining steel stem after  
pop rivet installation

07	4	Pop rivet (NOTE 1)	Almg 3.5	TAPK 36 SS	Onkenhout & Onk
06	4	Ibus	CRS 316	M2.5X10	ISO4762
05	3	Ibus	CRS 316	M3x8	ISO4762
04	2	Evaporator Clamp	AA6092 T6	XX	ASM2503
03	4	Evaporator Clamp Cushion	PTFE	XX	ASM2502
02	1	Ibea Insert	CRS 316	XX	ASM2504
01	1	Evaporator Clamp Base	AA6092 T6	XX	ASM2501
PART NO.	QUAN- TITY	TITLE	MATERIAL	SIZE/NOTE	I. D. NO. /NORM

Project: TIS - Tracker Thermal Control System  
 Title: Central Evaporator  
 Clamp Assy

Scale: 1:1  
 Date: 9-3-2004  
 Drawn: L van Diepen

**NIKHEF**  
 NATIONAL INSTITUTE FOR NUCLEAR PHYSICS  
 P.O. 4188, 3720 ZB, NIMES  
 Visitors: Kruisstraat 405, 1998 SA, Amstelveen  
 Tel.: +31-(0)20-59222095  
 Fax: +31-(0)20-59222155

Sheet No. 1 Number of sheets: 1  
 ASM25  
 http://www.nikhef.nl/pub/departments/trackers/trackers/asm/asm-evaporator/asm25.ps