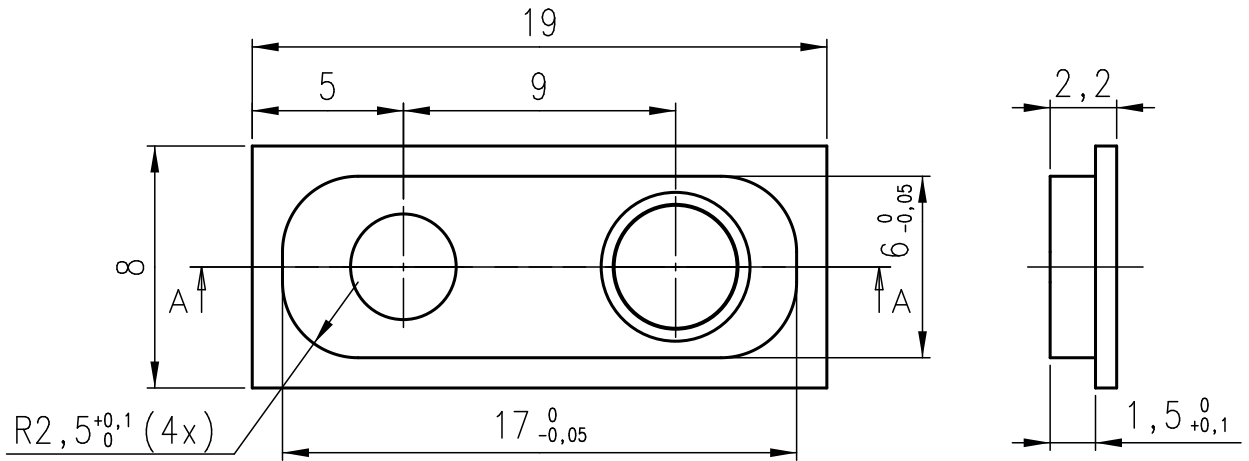
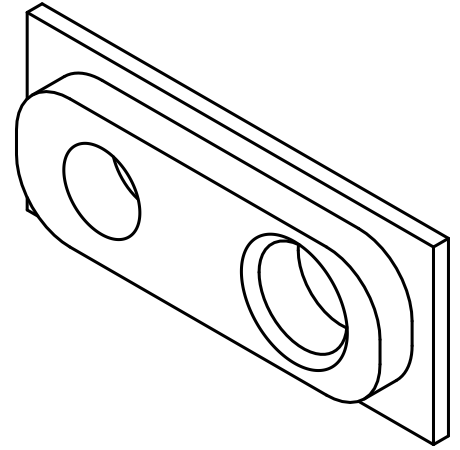
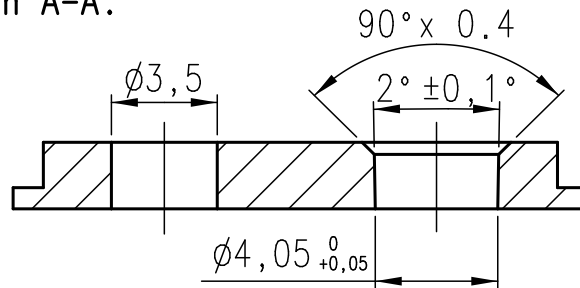


Note 1: Welding of the copper braids in the conical hole $\phi 4.05$ may require an unfinished part with larger dimensions. If so, the final part will get its dimensions as drawn after welding.

Note 2: Break sharp edges.



Section A-A:



				Copper			
PART NO.	NUMBER	TITLE	MATERIAL	SIZE/NOTE	I.D. NO./NORM		
Project: TTCS - Tracker Thermal Control System				Revision	Date	Name	
Title: P15 Th.Bar Evaporator IF Insert					A		
					B		
				C			
Scale: 4:1		Drawn: B.Verlaat		Dim. in mm	General tolerances unless otherwise stated according to ISO-2768-fH-E	Geometrical tolerances unless otherwise stated according to ISO-8015-E	Roughness unless otherwise stated according to ISO 1302
Date: 1-6-2004					Size	Identification No.:	
		NATIONAL INSTITUTE FOR NUCLEAR PHYSICS, AND HIGH ENERGY PHYSICS P.O.41882,1009 DB Amsterdam,The Netherlands Visitors: Kruislaan 409,1098 SJ,Amsterdam tel:+31-(0)20-5922095 fax:+31-(0)20-5925155		A4	ASM2003		
				Sheet No: 1 Number of sheets: 1			

