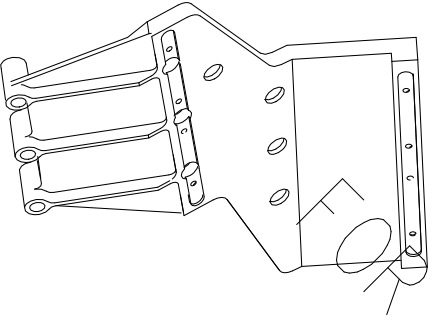
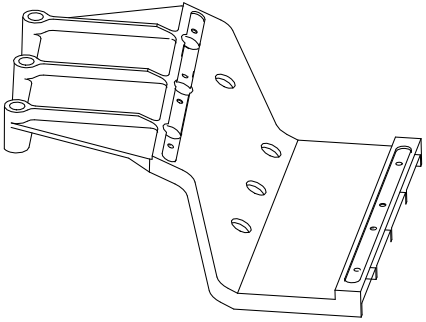
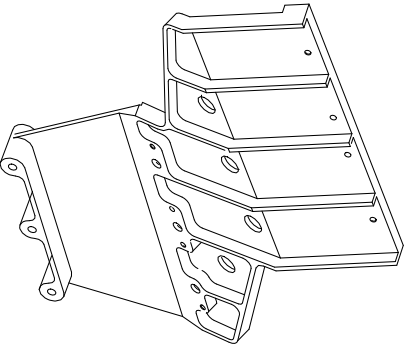
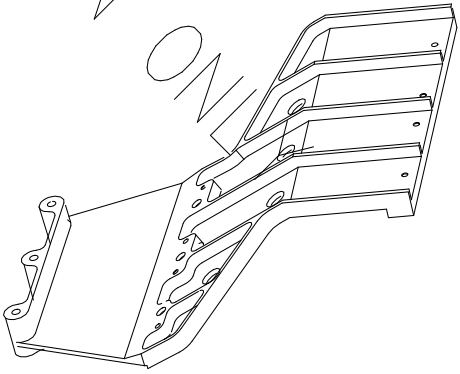


# OVERVIEW



INFORMATION ONLY



Q1	X	XX	AA002	XX	XX
FORM NO.	REV	TITLE	MATERIAL	SIZE/NOTE	I.D. NO./REV
Project: TCS - Tracker Thermal Control System					
Title: Flange exit clamp base					
Scale: 1:1	Drawn: L. V. D'Agostini	Checked: [Signature]	Approved: [Signature]	ASME Y14.5	ASME Y14.5
Date: 28-03-2004	Drawn: L. V. D'Agostini	Checked: [Signature]	Approved: [Signature]	ASME Y14.5	ASME Y14.5
NIKEEL is a registered trademark of NIKEEL Corporation. NIKEEL Corporation is a registered trademark of NIKEEL Corporation. NIKEEL Corporation is a registered trademark of NIKEEL Corporation.					
NIKEEL Corporation 10000 W. 10th Avenue, Suite 1000 Denver, CO 80202-3225 USA Tel: +1-303-555-5555 Fax: +1-303-555-5555					
Sheet No: 1	Number of sheets: 8				