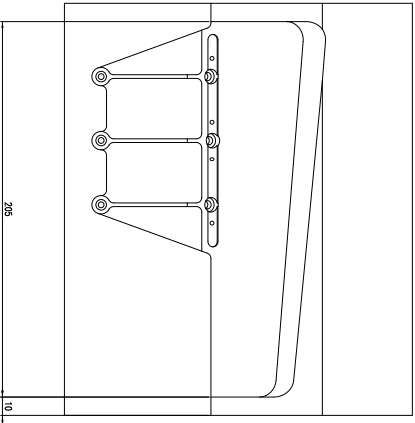
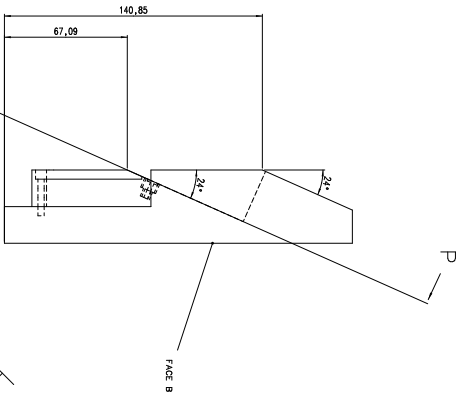


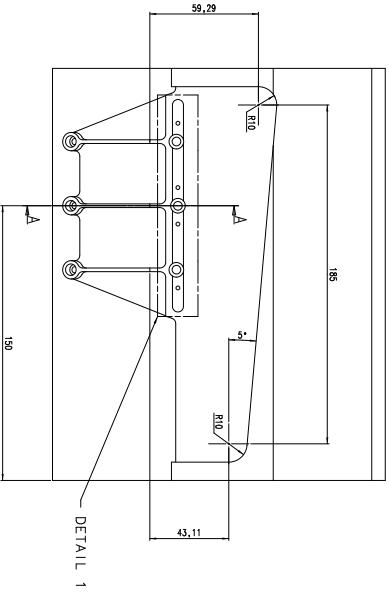
MACHINE STEP 2



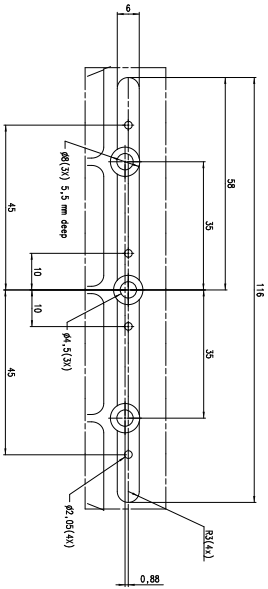
TOP



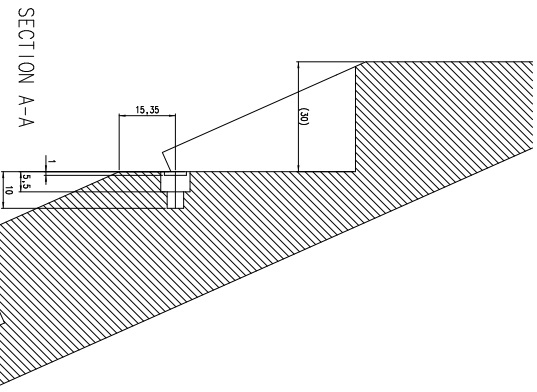
RIGHT SIDE



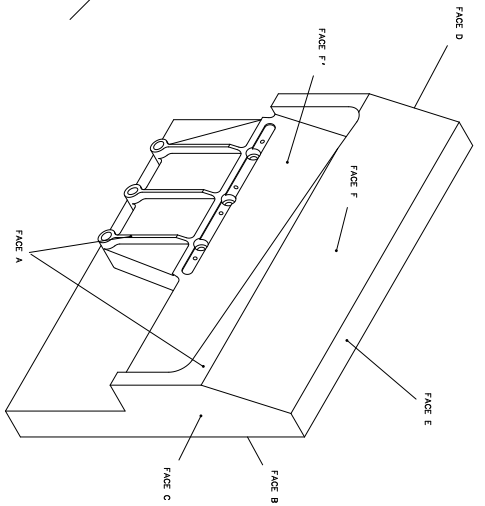
VIEW P-P



DETAIL 1



SECTION A-A



- CLAMP BETWEEN FACE C AND D
- SUPPORT ON FACE B

FOR INFORMATION ONLY

NO.	REV.	TITLE	MATERIAL	SYMBOL	DATE
01	X				
02	X				
03	X				
04	X				
05	X				
06	X				
07	X				
08	X				
09	X				
10	X				
11	X				
12	X				
13	X				
14	X				
15	X				
16	X				
17	X				
18	X				
19	X				
20	X				
21	X				
22	X				
23	X				
24	X				
25	X				
26	X				
27	X				
28	X				
29	X				
30	X				
31	X				
32	X				
33	X				
34	X				
35	X				
36	X				
37	X				
38	X				
39	X				
40	X				
41	X				
42	X				
43	X				
44	X				
45	X				
46	X				
47	X				
48	X				
49	X				
50	X				
51	X				
52	X				
53	X				
54	X				
55	X				
56	X				
57	X				
58	X				
59	X				
60	X				
61	X				
62	X				
63	X				
64	X				
65	X				
66	X				
67	X				
68	X				
69	X				
70	X				
71	X				
72	X				
73	X				
74	X				
75	X				
76	X				
77	X				
78	X				
79	X				
80	X				
81	X				
82	X				
83	X				
84	X				
85	X				
86	X				
87	X				
88	X				
89	X				
90	X				
91	X				
92	X				
93	X				
94	X				
95	X				
96	X				
97	X				
98	X				
99	X				
100	X				