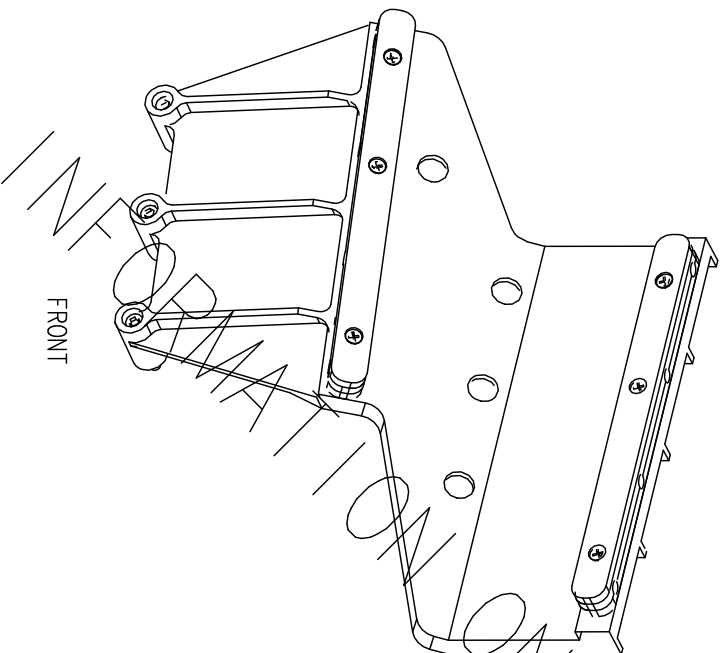
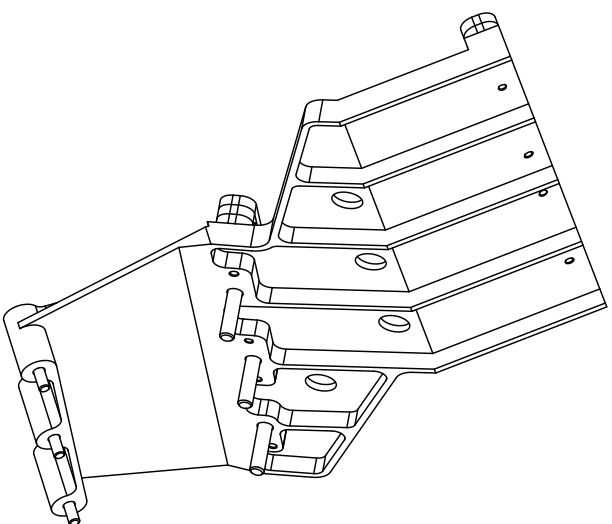


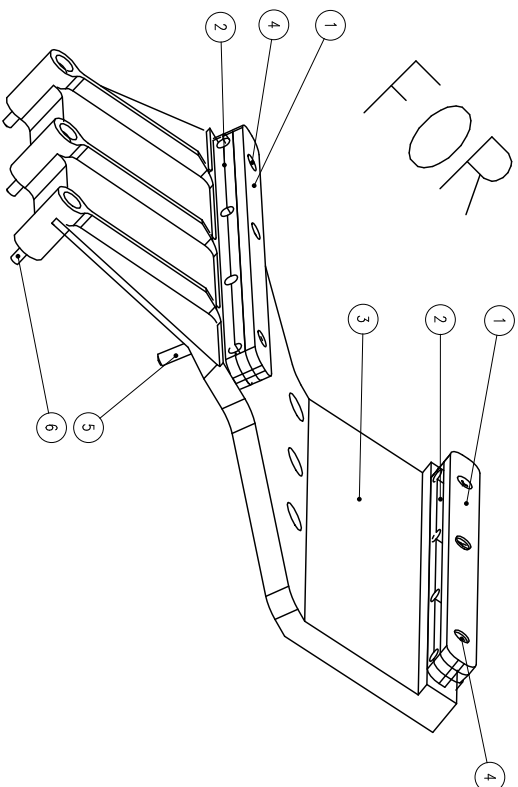
LEFT



FRONT



RIGHT



PART NO.	QTY	UNIT	TITLE	MATERIAL	SIZE/NOTE	I. D. NO./NORM
06	3	Inbus		CRS 316	M3x20	ISO4762
05	3	Inbus		CRS 316	M4x16	ISO4762
04	6	Phillips countersunk		CRS 316	M2.5x12	ISO7046
03	1	Flange Exit clamp base		AA6092 T6	XX	ASMI0603
02	4	4mm cushion		PTFE	XX	ASMI0703-2
01	2	Flange tube clamp top		AA6092 T6	XX	ASMI0702

Project: TIOS - Tracker Thermal Control System  
 Title: Evaporator Flange Exit Clamp Assy  
 Scale: 1:1  
 Date: 9-3-2004  
 Drawn: L van Diepen  
 Dim. in mm

**NIKHEF**  
 NATIONAL INSTITUTE FOR NUCLEAR PHYSICS  
 P.O. 41882 ZOOM  
 VISITORS: KRUISWIJN 405, 1998 SB AMSTERDAM  
 TEL.: +31 (0)20-5922095  
 FAX: +31 (0)20-5922055

Sheet No: 1 Number of sheets: 1