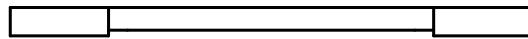
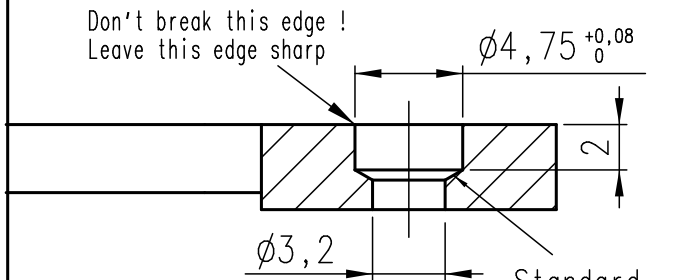


Unit weight: 33 gram



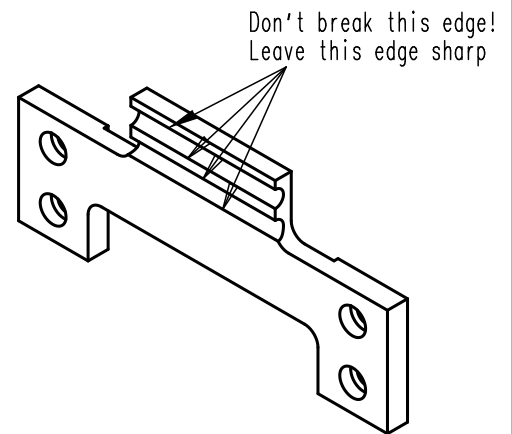
Section A-A
(Scale 2:1)

Don't break this edge!
Leave this edge sharp



Hole type occurs 4x

Standard
drill angle



Break sharp edges,
except edge indicated

		P234 Thermal bridge	ETP Copper		ASM0503		
PART NO.	NUMBER	TITLE	MATERIAL	SIZE/NOTE	I.D. NO./NORM		
Project: AMS-Silicon Tracker				Revision	Date	Name	
Title: P234 Thermal bridge					B	6-9-2002	Verlaat
					C	31-10-2003	Verlaat
					D	27-1-2004	Verlaat
Scale: 1:1		Drawn: B.Verlaat		General tolerances unless otherwise stated according to ISO-2768-fH-E	Geometrical tolerances unless otherwise stated according to ISO-8015-E	Roughness unless otherwise stated according to ISO 1302	
Date: 7-12-2000				Dim. in mm			
		NATIONAL INSTITUTE FOR NUCLEAR PHYSICS, AND HIGH ENERGY PHYSICS P.O. 41882, 1009 DB Amsterdam, The Netherlands Visitors: Kruislaan 409, 1098 SJ, Amsterdam tel: +31-(0)20-5922000 fax: +31-(0)20-5925155		Size	Identification No.:		
				A4	ASM0503d		
				Sheet No: 1 Number of sheets: 1			

