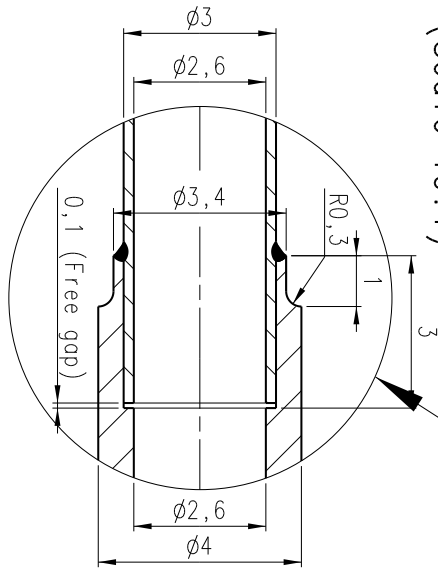
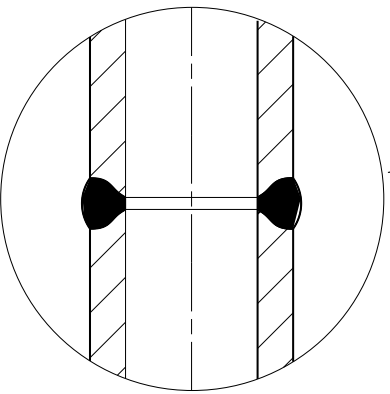




Laser weld detail  
(Scale 10:1)



GTAW orbital weld detail  
(Scale 10:1)



<b>PART NO.</b>	<b>NUM-BER</b>	<b>TITLE</b>	<b>MATERIAL</b>	<b>SIZE/NOTE</b>	<b>I. D. NO./NORM</b>
Project: TICS - Tracker Thermal Control System		Title: Evaporator weld connector			
Scale: 4:1	Drawn: B. Verlaot	 Dim. in mm		General tolerances (otherwise stated according to ISO-2768-H-E)	
Date: 14-01-2003				Geometrical tolerances (otherwise stated according to ISO-8015-E)	
 NATIONAL INSTITUTE FOR NUCLEAR PHYSICS, AND HIGH ENERGY PHYSICS P.O. 41882, 1009 DB Amsterdam, The Netherlands Visitors: Kruislaan 409, 1098 SJ, Amsterdam Tel.: +31-(0)20-5922095 Fax: +31-(0)20-5925155		Size	Identification No.:		
		A3	ASM006b	Sheet No.: 1	Number of sheets: 1

