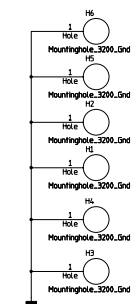
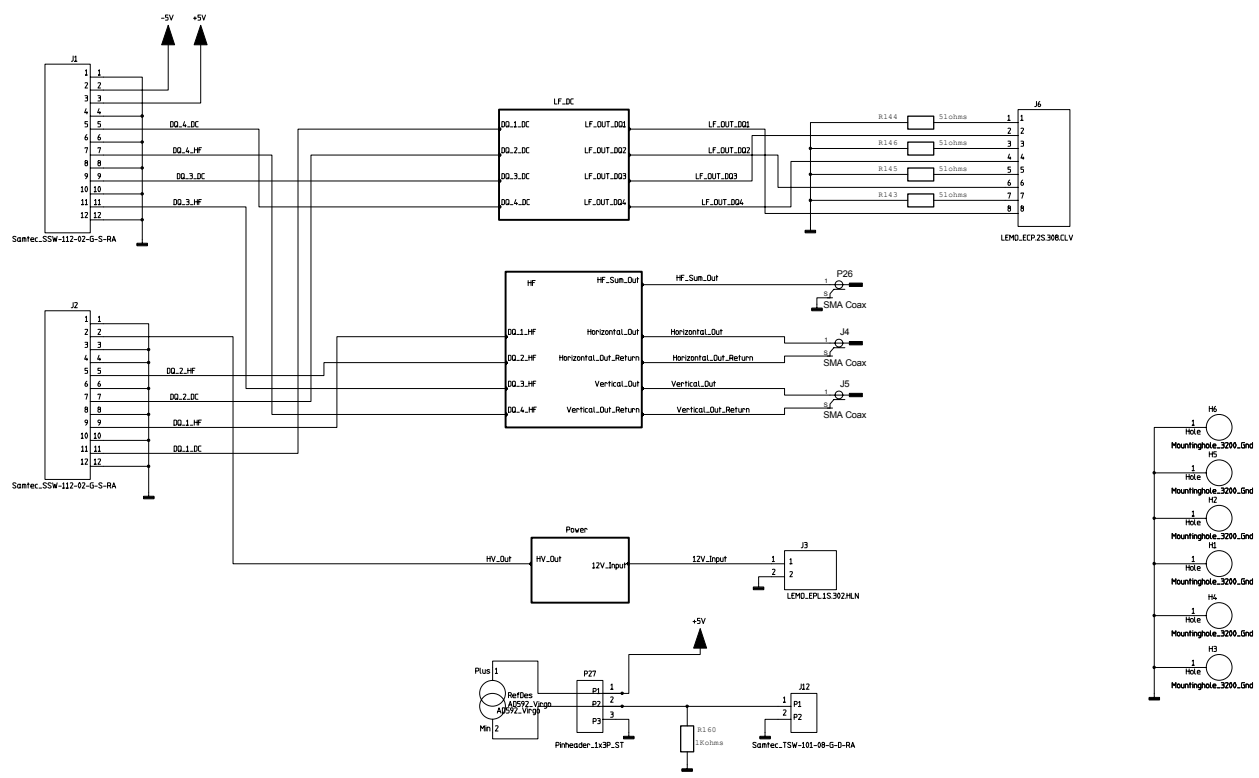
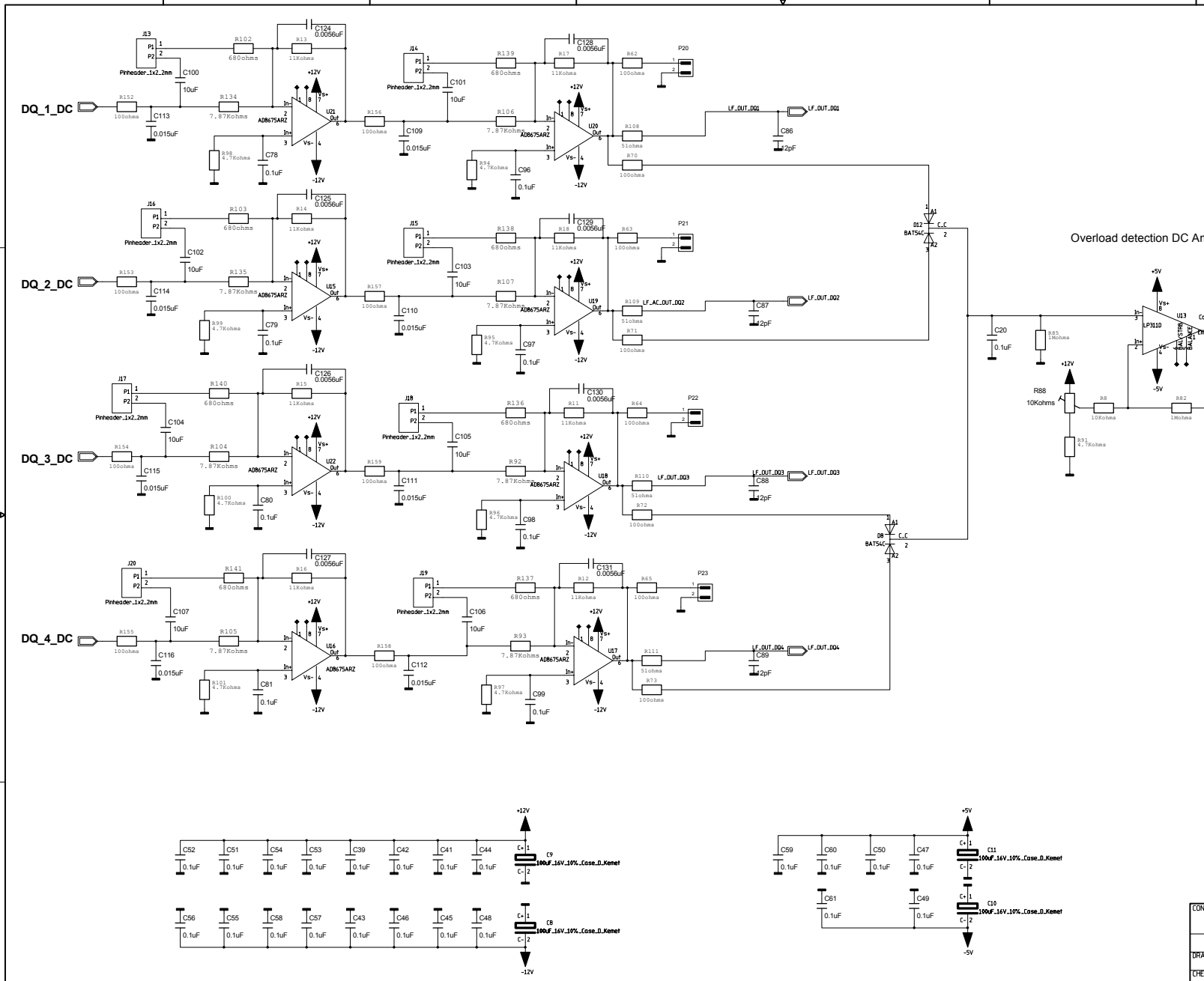


REVISIONS			
REV	DESCRIPTION	DATE	APPROVED

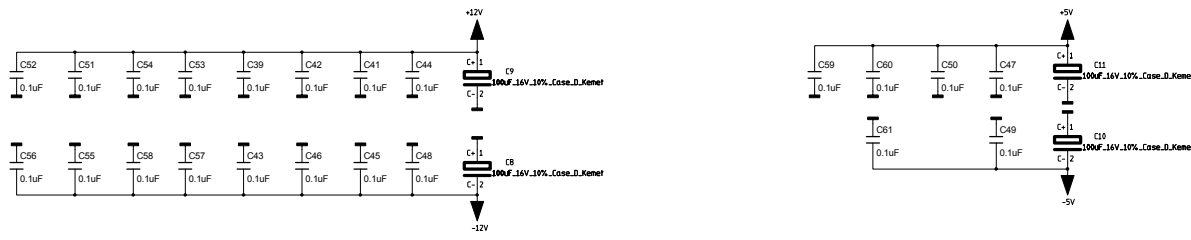


CONTRACT NO.		Virgo Block Schema	
APPROVALS	DATE		
DRAWN JD Schipper	18-05 2008		
CHECKED H Greenstege			
ISSUED			
SCALE		SIZE/FSCH NO. D	DWG. NO.
			REV 1
			SHEET

REVISIONS			
REV	DESCRIPTION	DATE	APPROVED

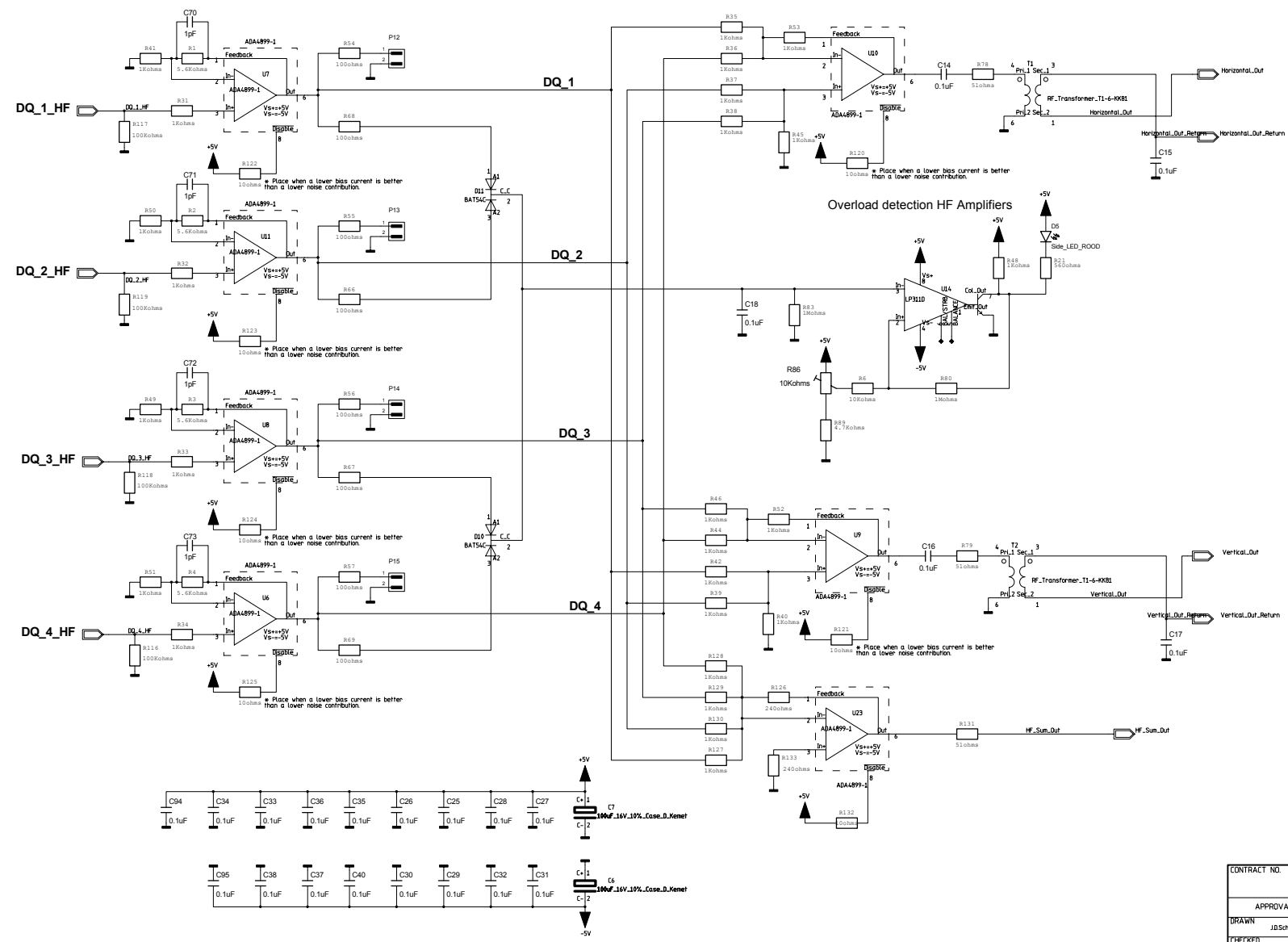


Overload detection DC Amplifiers



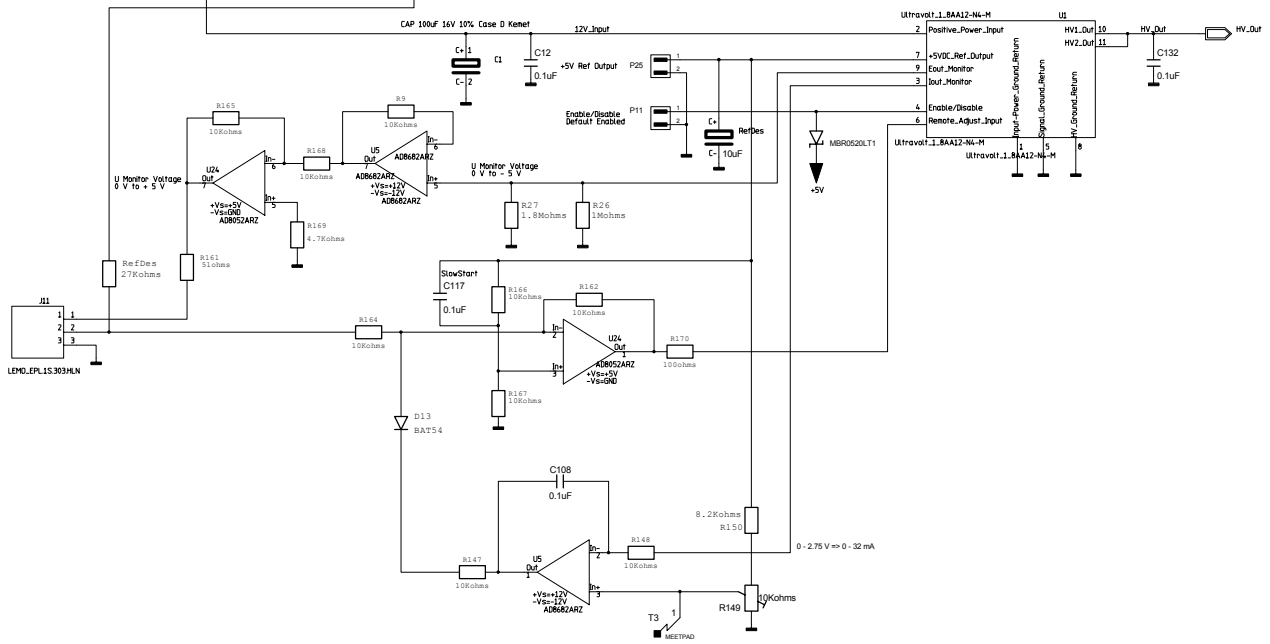
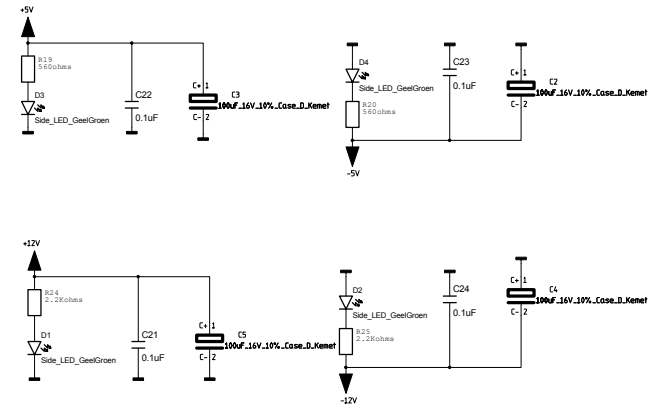
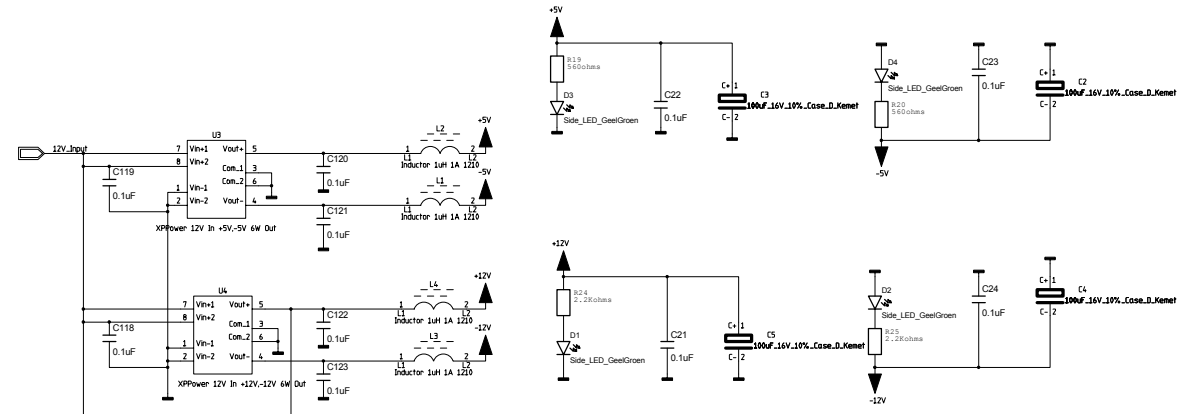
CONTRACT NO.		Virgo V2 LF Amplifiers DC and AC coupled	
APPROVALS	DATE		
DRAWN J.D.Schopper	15.10.2008		
CHECKED H. Greenstege			
ISSUED		SIZE/FSCH. NO.	DWG. NO.
		SCALE	SHEET

REVISIONS			
REV	DESCRIPTION	DATE	APPROVED



CONTRACT NO.		Virgo V2 HF Amplifiers	
APPROVALS	DATE		
DRAWN JD Schipper	18-08 2008		
CHECKED W Groenestege			
ISSUED		SIZE: F	SCALE:
		FSCH NO.:	DRWG. NO.:
			SHEET

REVISIONS			
REV	DESCRIPTION	DATE	APPROVED



CONTRACT NO.		Power Bias	
APPROVALS	DATE		
DRAWN J D Schipper	18-08 2008		
CHECKED H Greenstege			
ISSUED D		SIZE: FSC# NO.	DRG. NO.
		SCALE	SHEET