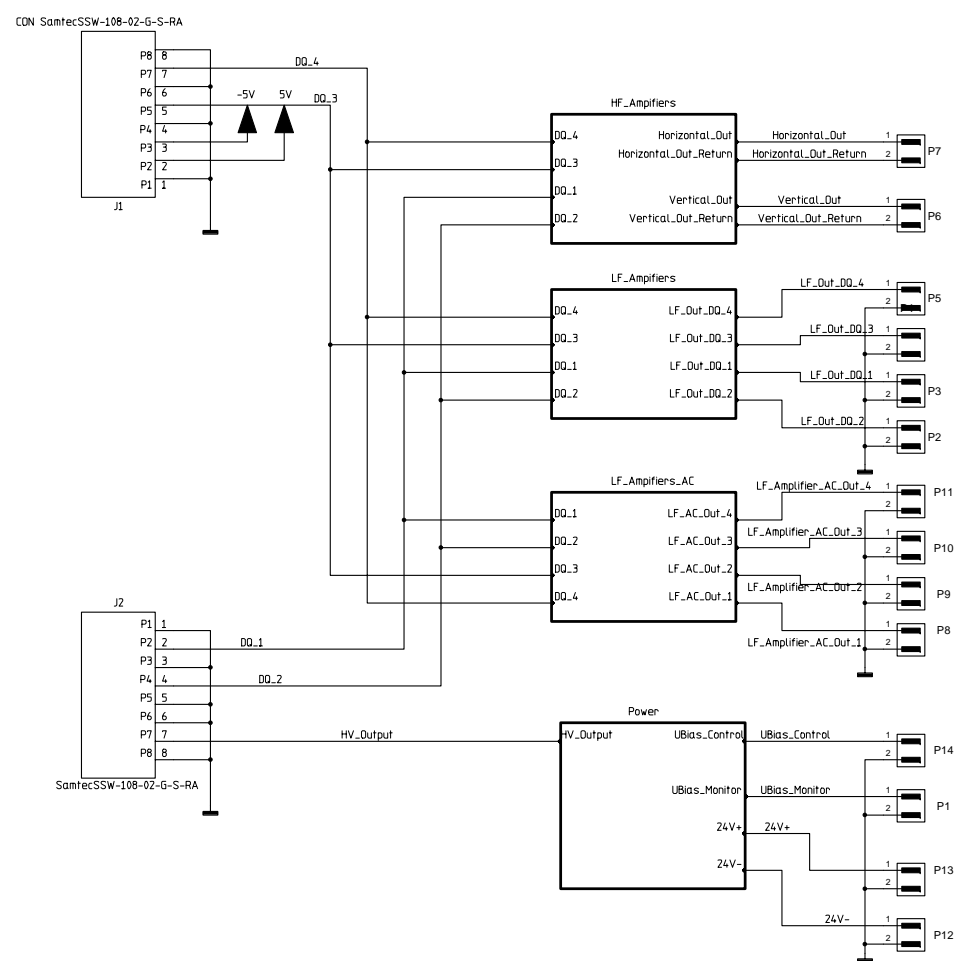
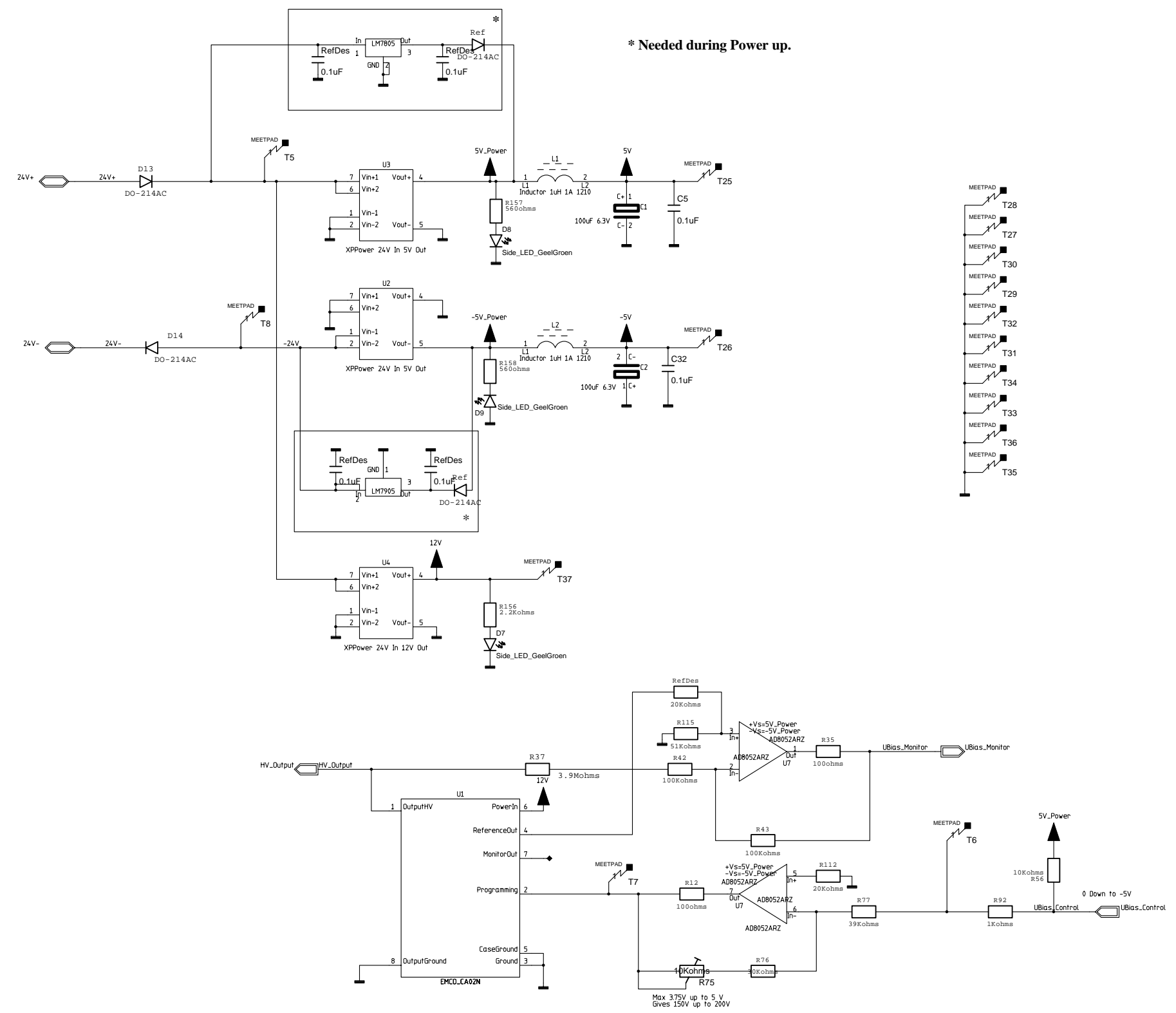


DWG. NO.	SH	REV	1
REVISIONS			
REV	DESCRIPTION	DATE	APPROVED



CONTRACT NO.		Virgo			
APPROVALS	DATE	Block Diagram			
DRAWN J.D. Schipper	25-9 2007				
CHECKED H. Groenstege					
ISSUED					
		SIZE D	FSCM NO.	DWG. NO.	REV
		SCALE			SHEET 0

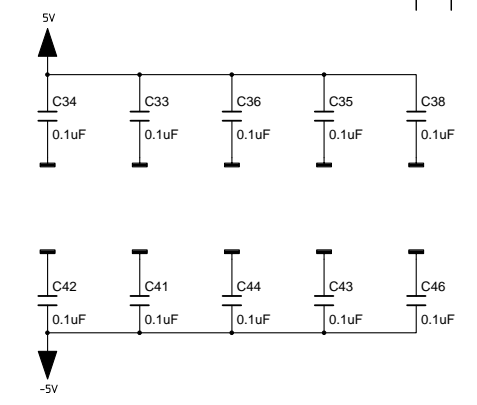
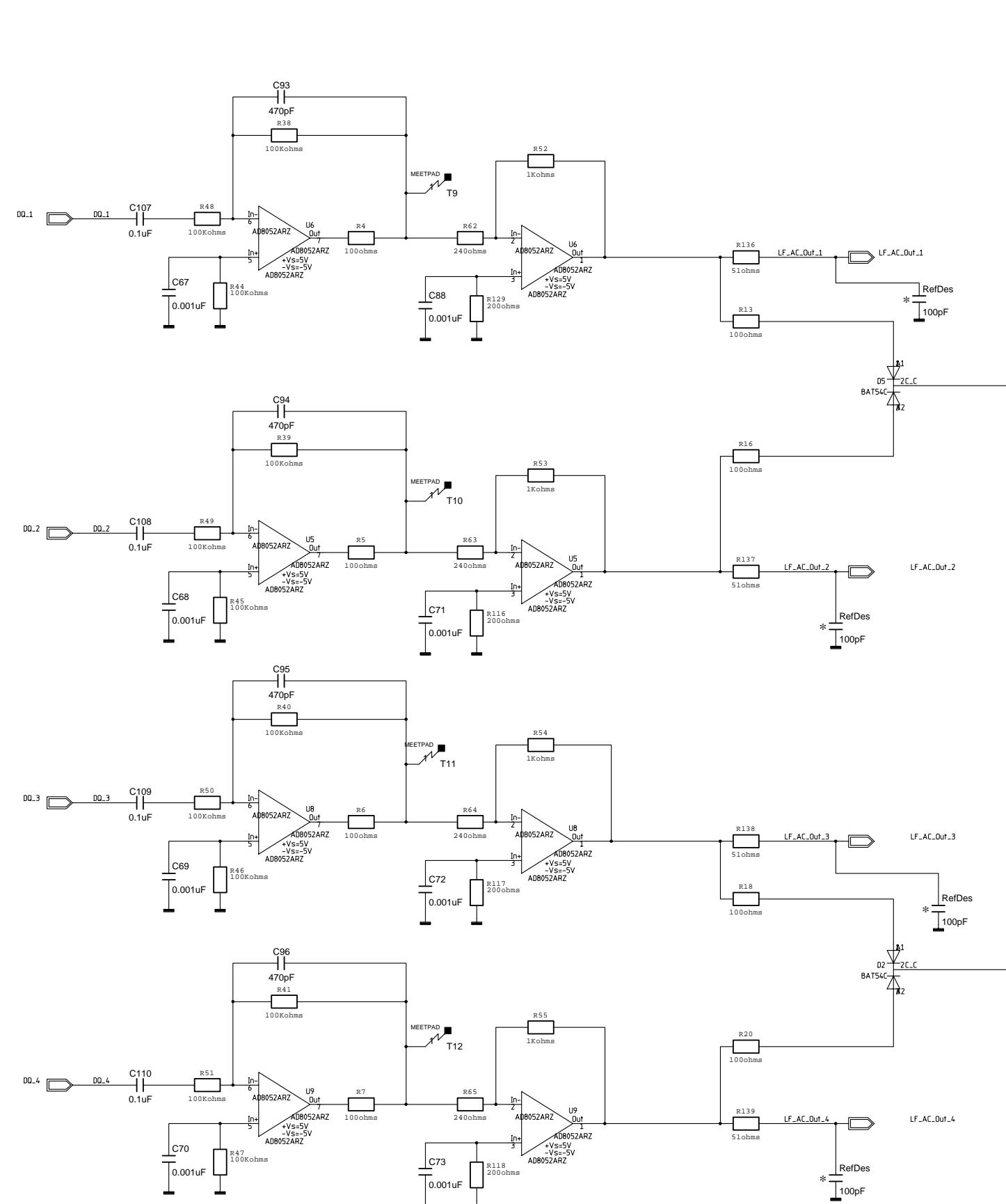
REVISIONS			
REV	DESCRIPTION	DATE	APPROVED



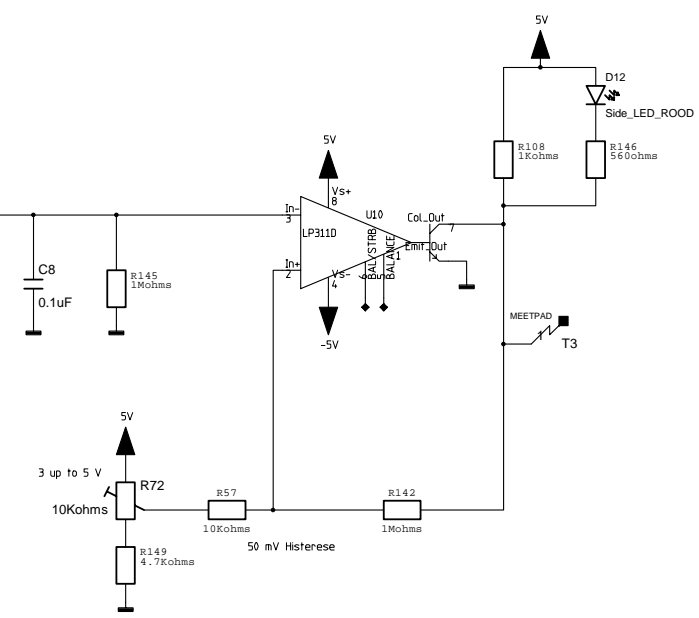
- MEETPAD T28
- MEETPAD T27
- MEETPAD T30
- MEETPAD T29
- MEETPAD T32
- MEETPAD T31
- MEETPAD T34
- MEETPAD T33
- MEETPAD T36
- MEETPAD T35

CONTRACT NO.		Virgo			
APPROVALS	DATE	Power and High Voltage			
DRAWN J.D. Schipper	25-9 2007				
CHECKED H. Groenstege					
ISSUED					
		SIZE D	FSCM NO.	DWG. NO.	REV
		SCALE			SHEET 4

REVISIONS			
REV	DESCRIPTION	DATE	APPROVED

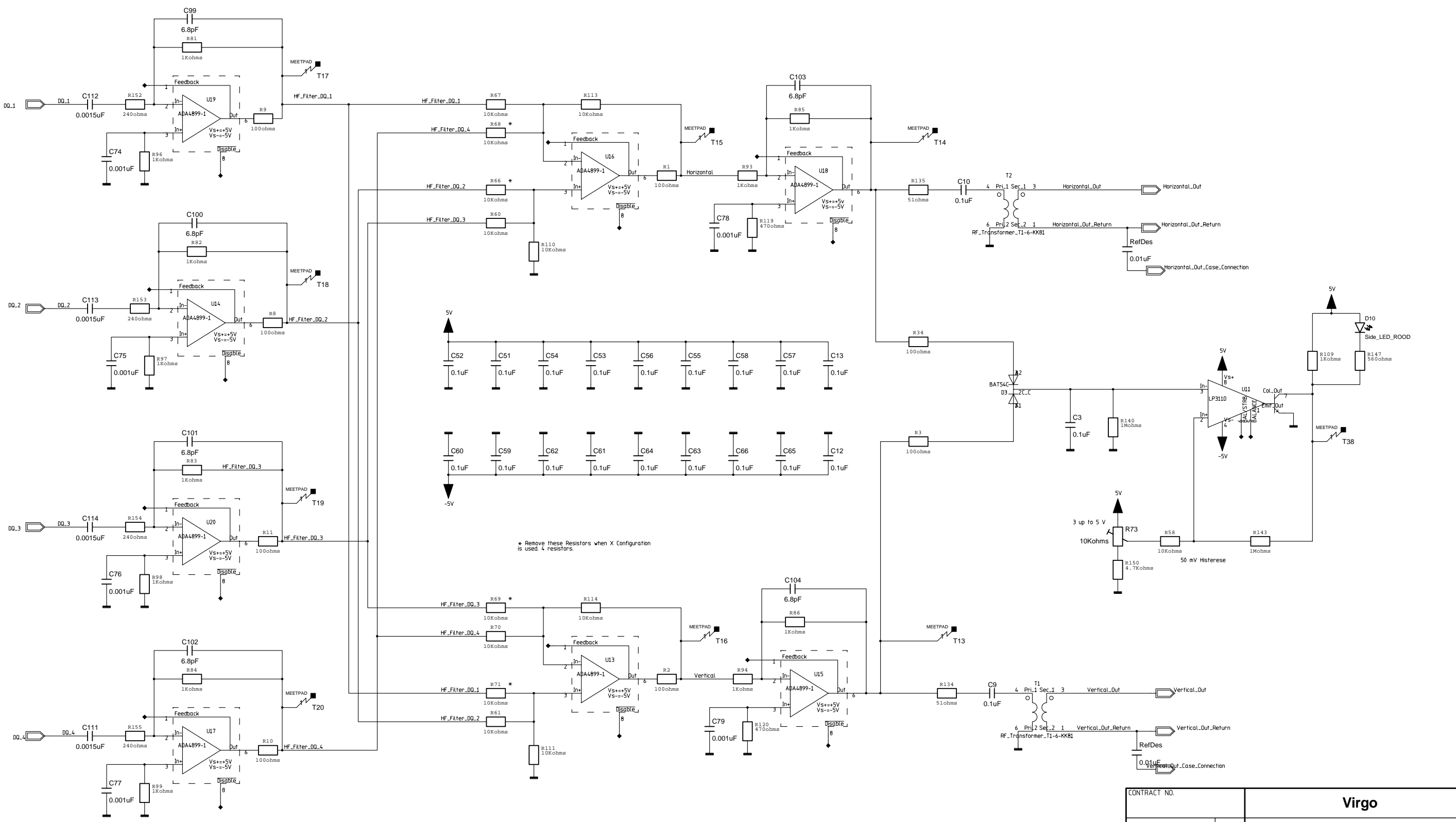


* Capacitor Placed on the output plug of the Module. 4 Times.



CONTRACT NO.		Virgo			
APPROVALS	DATE	LF Amplifiers AC Coupled			
DRAWN	J.D. Schipper 25-9 2007				
CHECKED	H. Groenestege				
ISSUED					
		SIZE	FSCM NO.	DWG. NO.	REV
		D			
		SCALE			SHEET 3

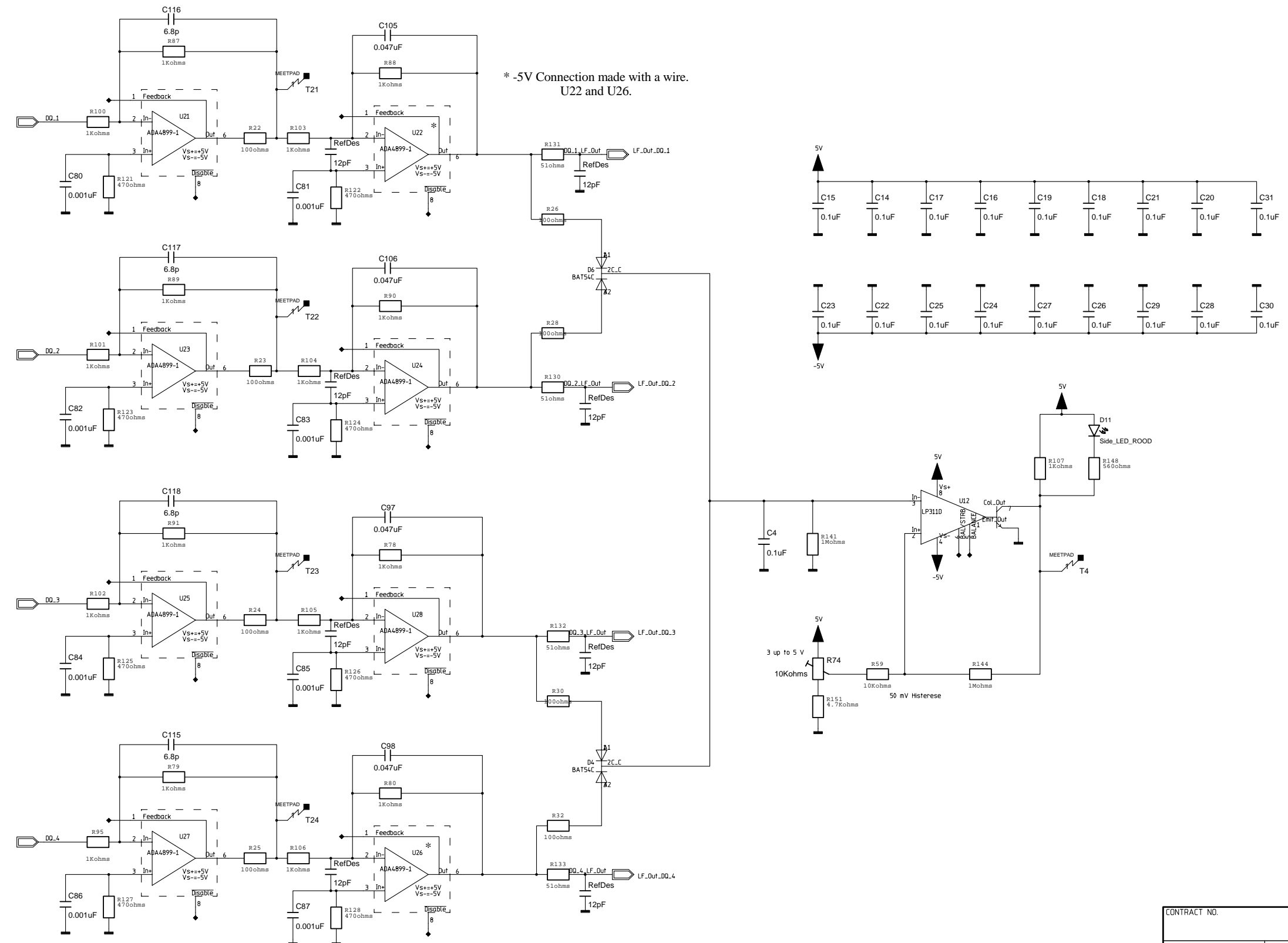
DWG. NO.	SH	REV	1
REVISIONS			
REV	DESCRIPTION	DATE	APPROVED



* Remove these Resistors when X Configuration is used. 4 resistors.

CONTRACT NO.		Virgo	
APPROVALS	DATE		
DRAWN	J.D. Schipper	25-9	HF Amplifiers
CHECKED	H. Groenstege	2007	
ISSUED			
		SIZE	FSCM NO.
			DWG. NO.
			REV
		SCALE	SHEET 1

REVISIONS			
REV	DESCRIPTION	DATE	APPROVED



CONTRACT NO.		Virgo			
APPROVALS	DATE	LF Amplifiers			
DRAWN	25-9-2007				
CHECKED	H. Groenstege				
ISSUED					
		SIZE	FSCM NO.	DWG. NO.	REV
		SCALE			SHEET 2