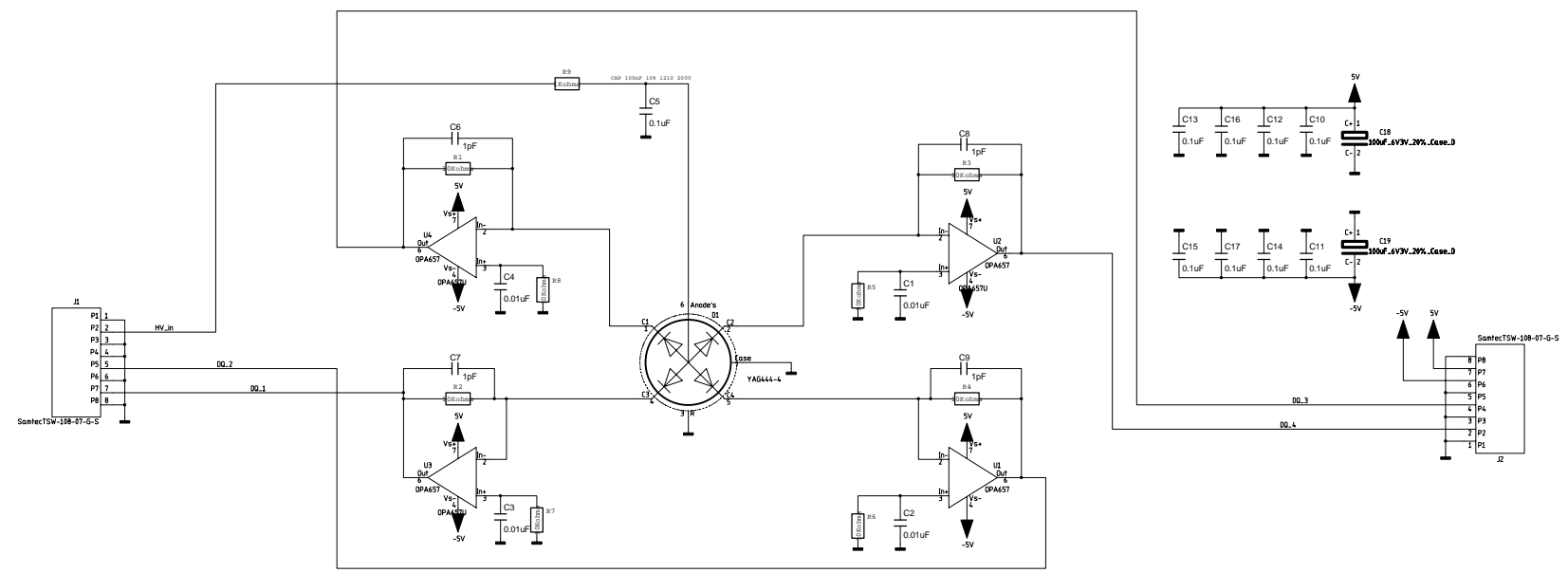


EWG. NO.	SH.	REV.	1
REVISIONS			
REV.	DESCRIPTION	DATE	APPROVED



CONTRACT NO.		Virgo FrontBoard	
APPROVALS	DATE	Henk Groenestege Jan David Schipper	
DRAWN			
CHECKED			
ISSUED		SIZE/FSCM NO.	EWG. NO.
		SCALE	SHEET