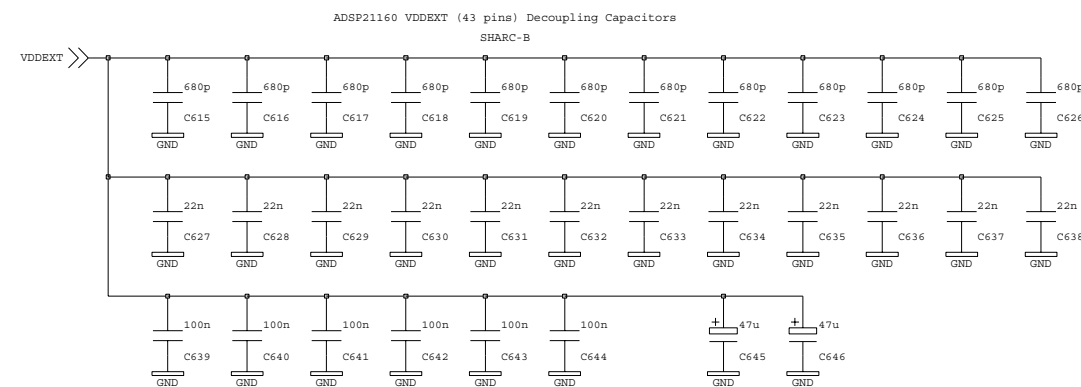
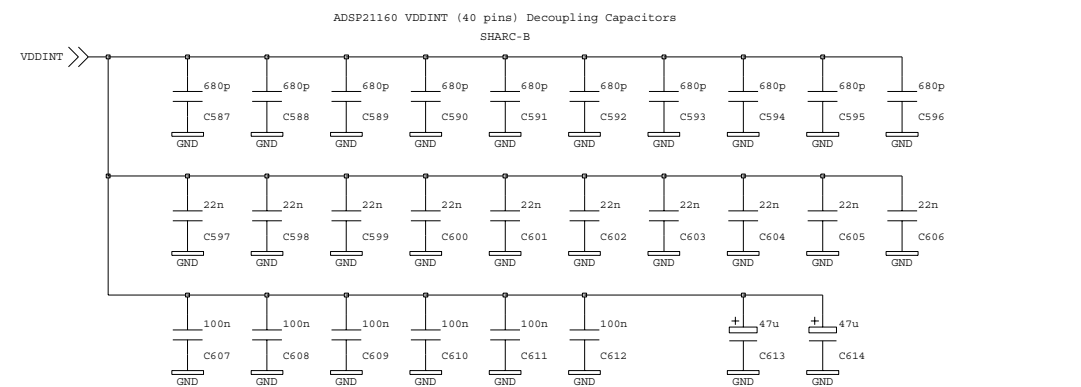
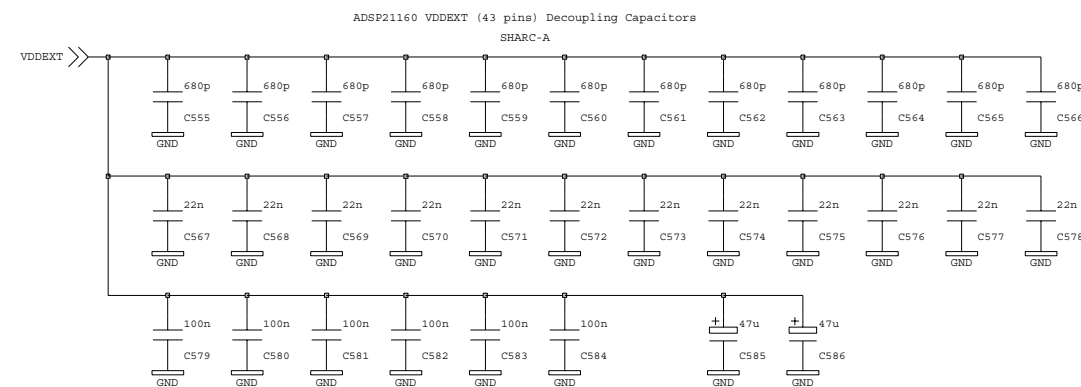
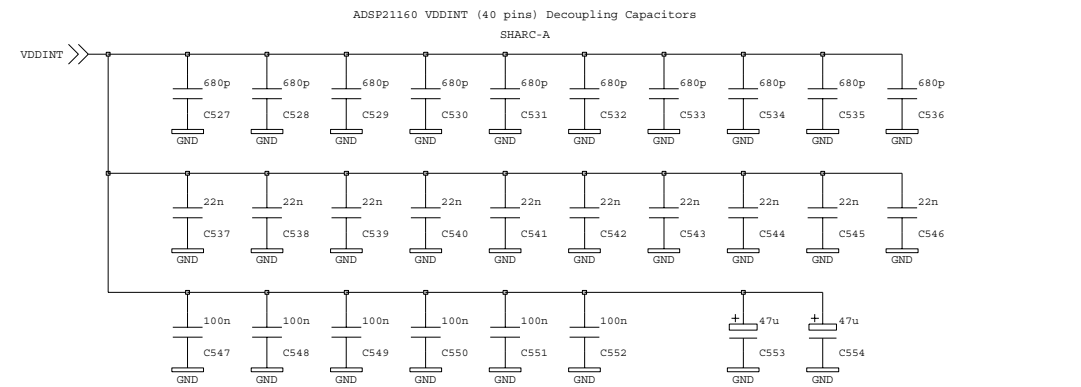
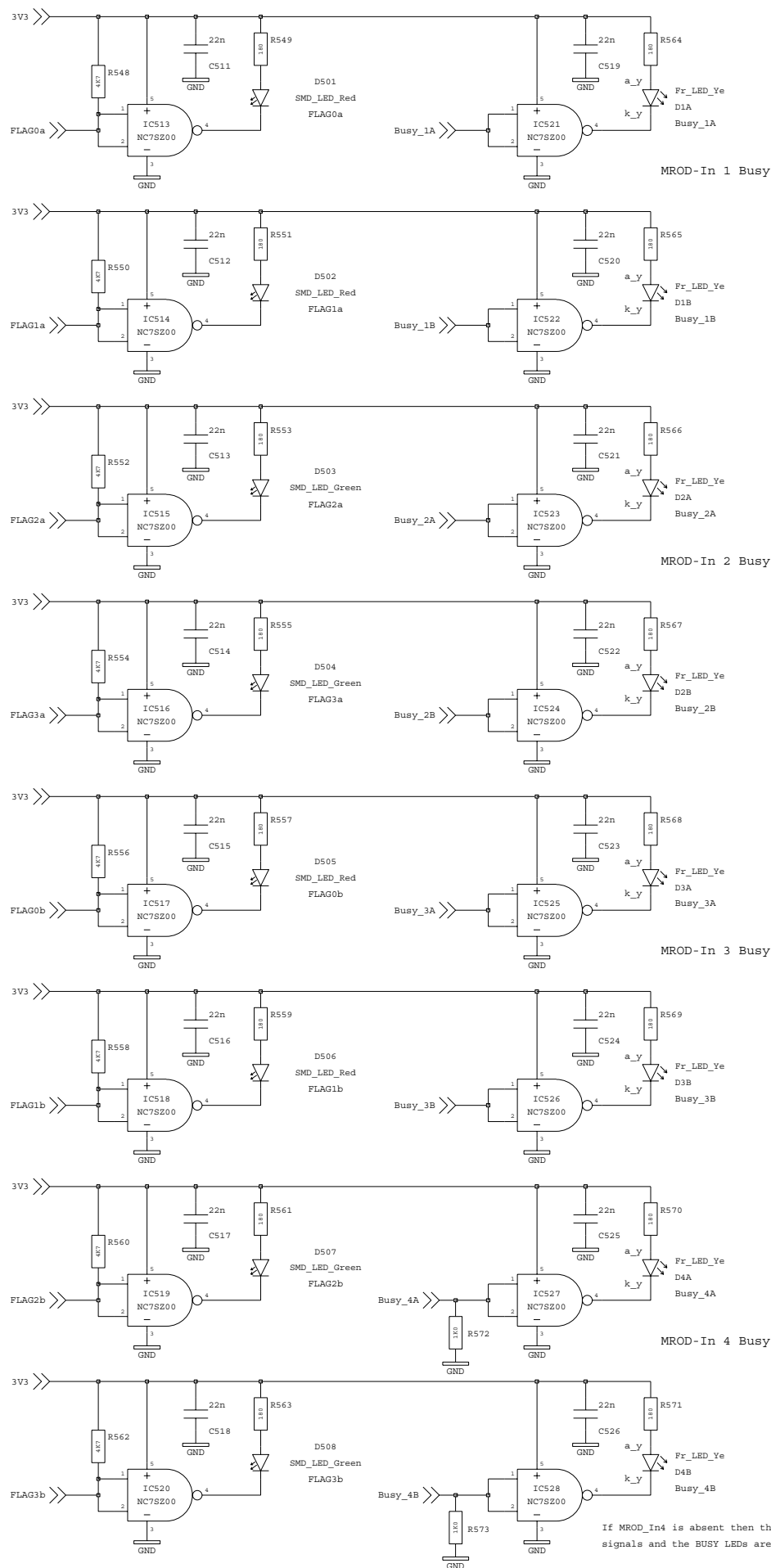


Sharc Flag pin is an Input by default after Power-Up.
This means the LEDs light up during and after Power-Up.



MROD-Out		Rev	V2	3
		Date	7 Feb 2006	
SHARC Power Supply Decoupling and LEDs		Time	1:26:41 pm	
Proj:	MROD-X	Proj.No:	38405	
Peter Jansweijer		peterj@nikhef.nl		
NIKHEF © ET-Nikhef Amsterdam		NATIONAAL INSTITUUT VOOR KERN-FYSICA EN HOOG-ENERGIE-FYSICA KRUISLAAN 409, 020-592 2000 1098 SJ AMSTERDAM NEDERLAND		
		Size	A3	4 1 4 A
		Dim	420 x 297 mm	
Page		5	of 19	