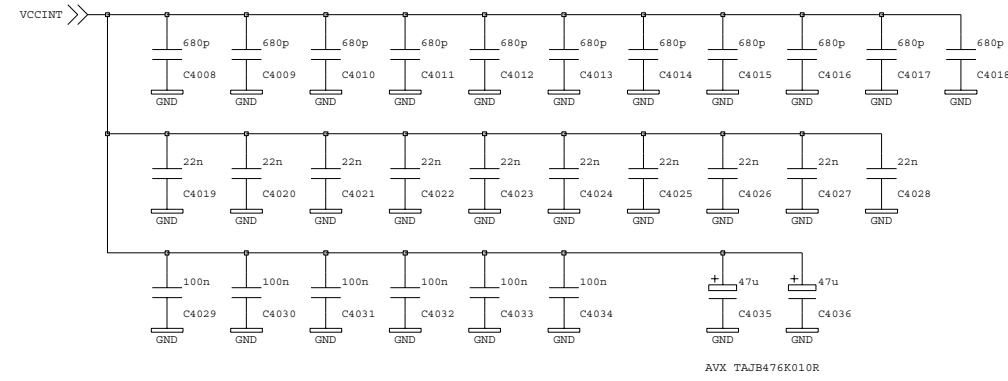
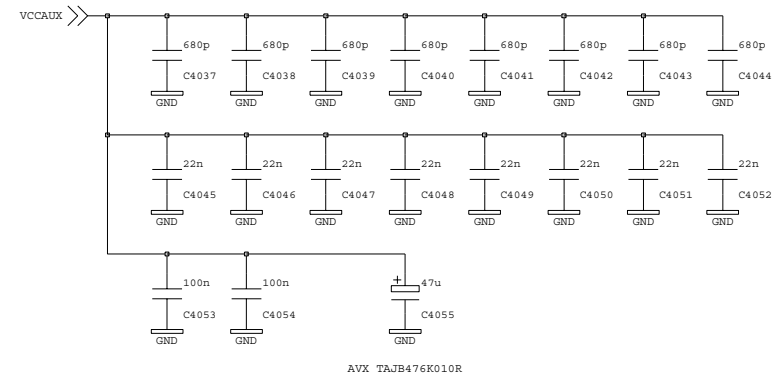


XC2VP7/20 VCCINT Decoupling Capacitors  
 Min. Power-On Current XC2VP20  
 IccINT = 600 mA

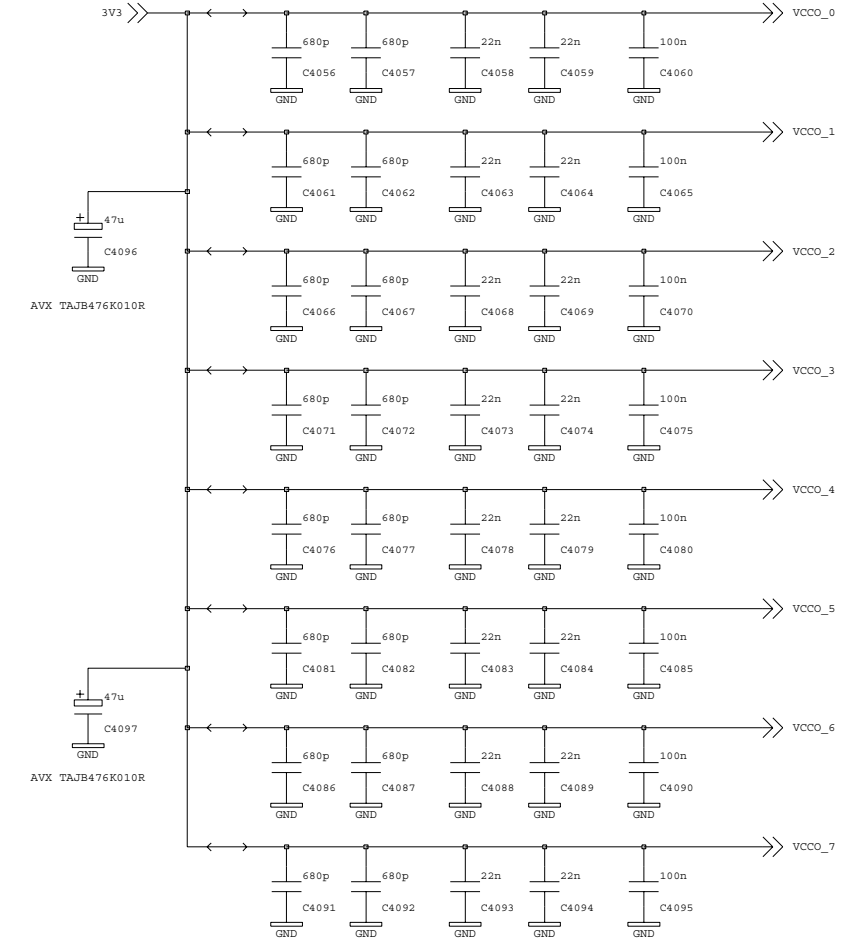
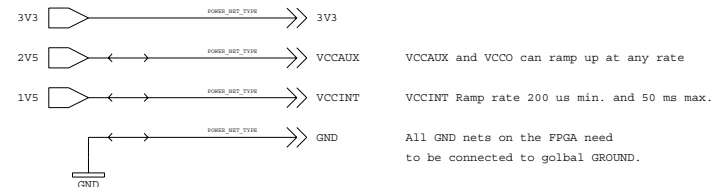


XC2VP7/20 VCCAUX Decoupling Capacitors  
 Min. Power-On Current XC2VP20  
 IccAUX = 250 mA (min)



Power Inputs

For Xilinx Virtex-II Pro, power supplies can be turned on in any sequence.



<b>channel_in</b>		Rev	V2	2						
		Date	7 Feb 2006							
Input FPGA Power Supply Decoupling			Time	1:51:34 pm						
Proj:	MROD-X	Proj.No:	38405							
Peter Jansweijer		peterj@nikhef.nl								
<b>NIKHEF</b> © ET-Nikhef Amsterdam		NATIONAL INSTITUUT VOOR KERN- FYSICA EN HOGE ENERGIE-FYSICA KRUISLAAN 409, 020-592 2000 1098 SJ AMSTERDAM NEDERLAND			Size	A3	4	1	4	A
					Dim	420 x 297 mm				
					Page	3 of 6				