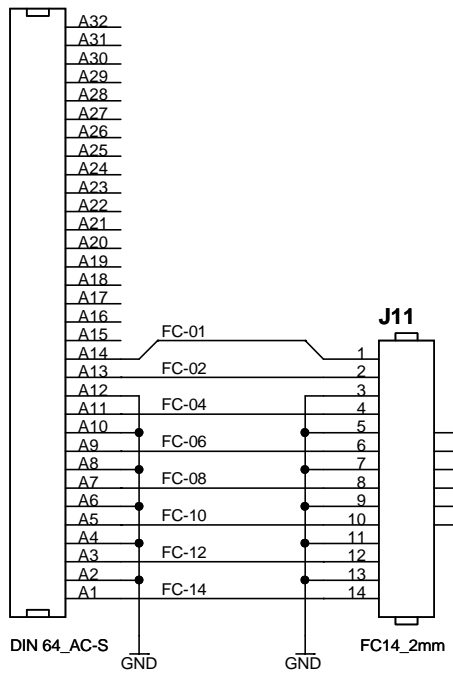
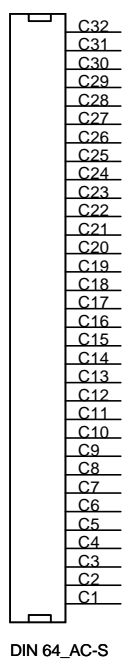


S2A



S2C



Title		
<Title>		
Size	Document Number	Rev
	<Doc>	0
Date:	Monday, October 17, 2005	Sheet 1 of 1