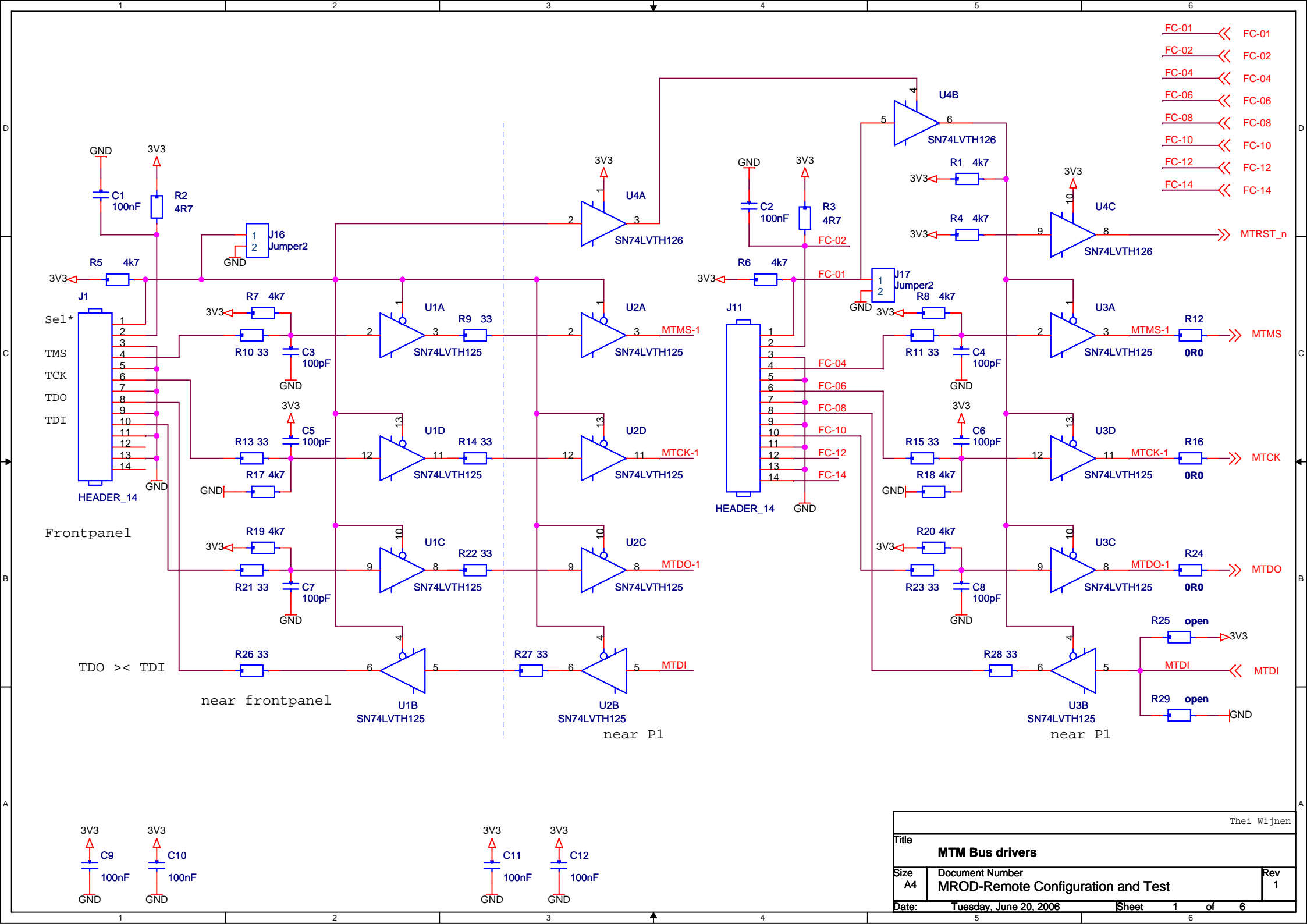
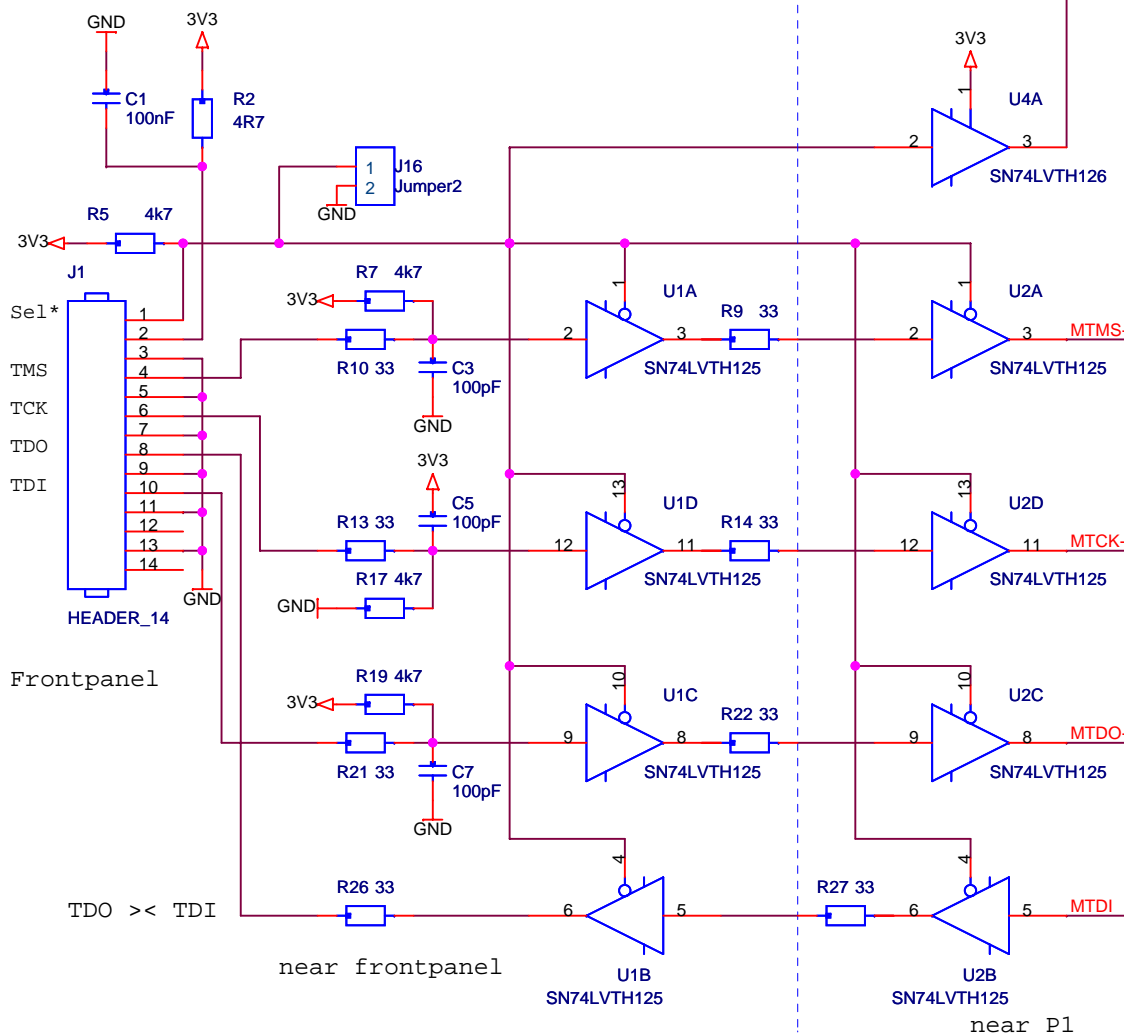


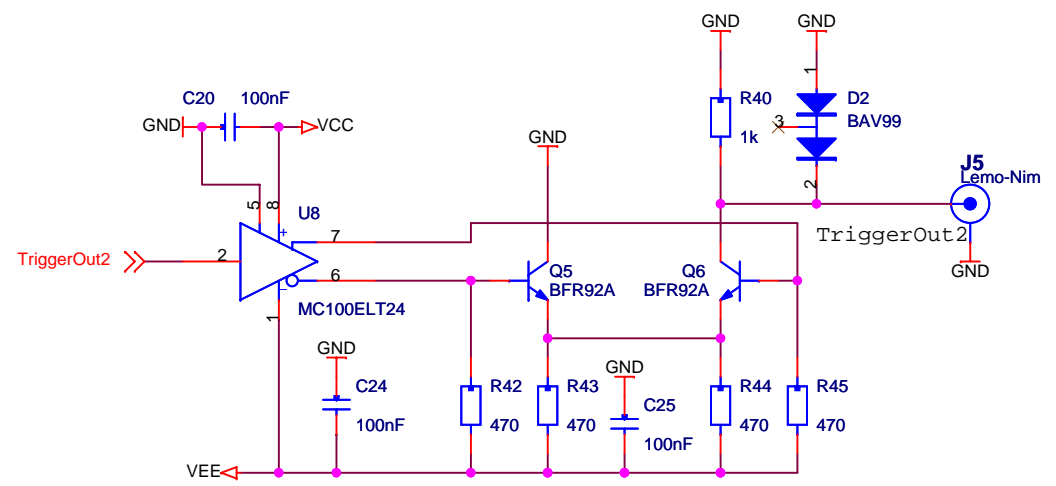
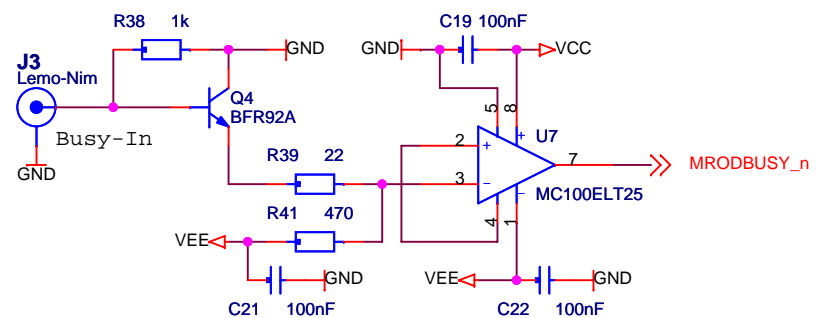
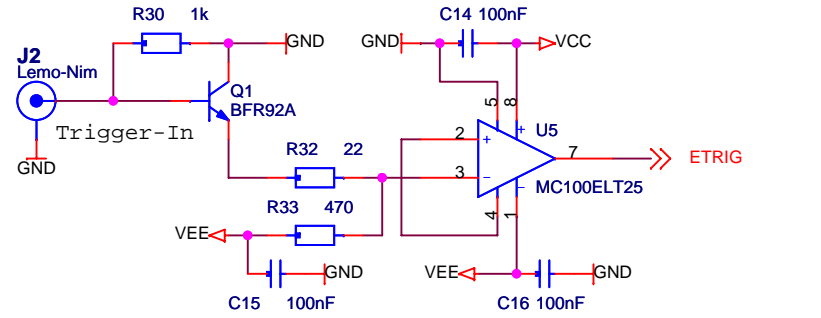
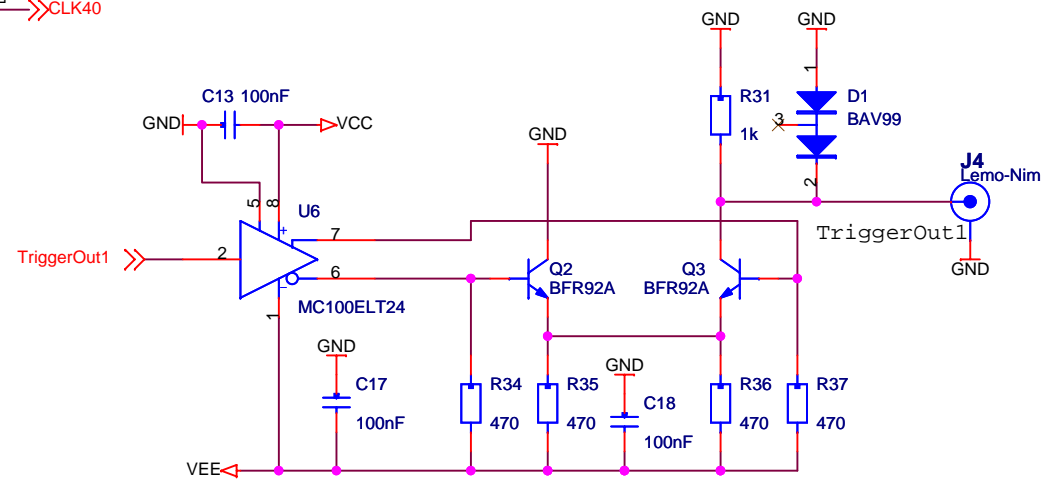
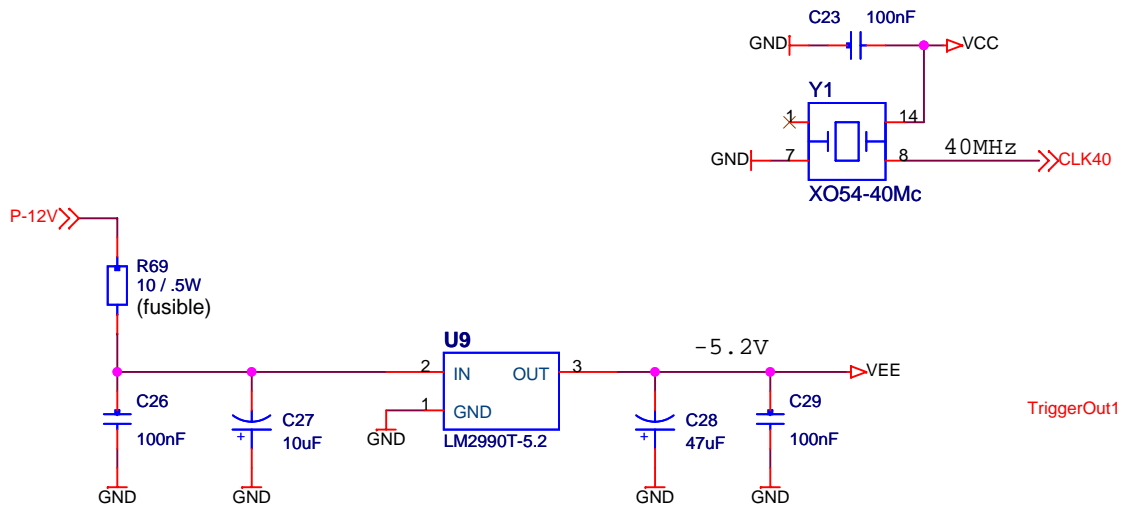
Thei Wijnen		
Title Block diagram		
Size A4	Document Number MROD-Remote Configuration and Test	Rev 0
Date: Tuesday, April 03, 2007	Sheet 1	of 1



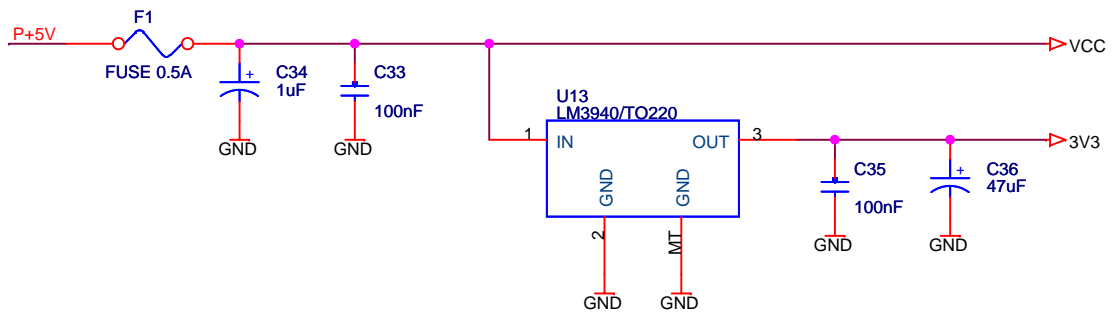
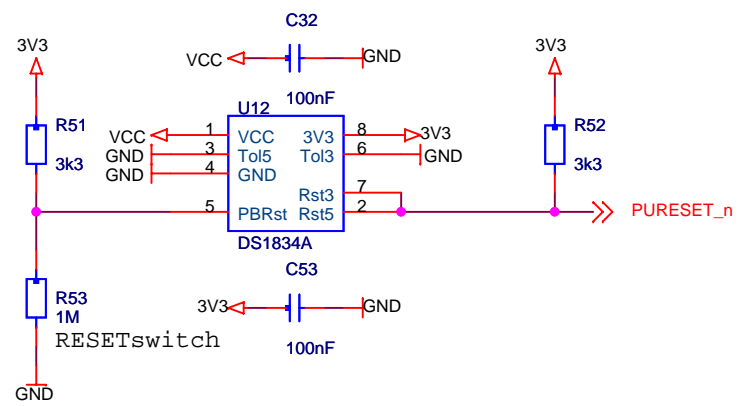
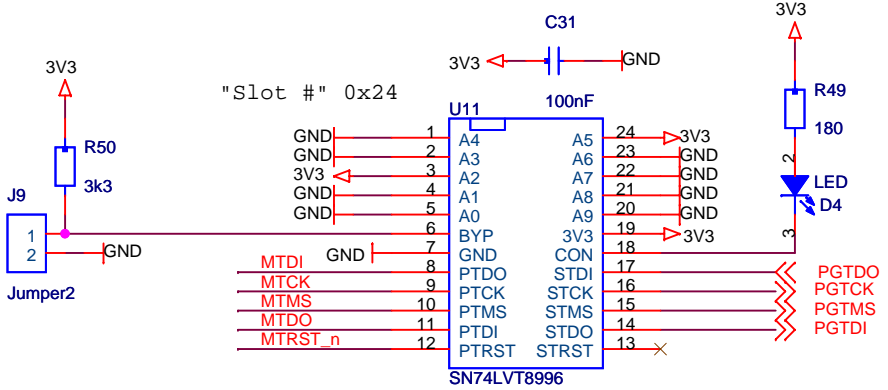
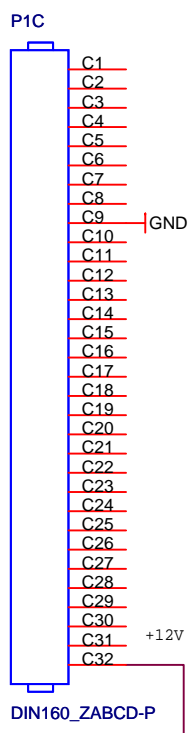
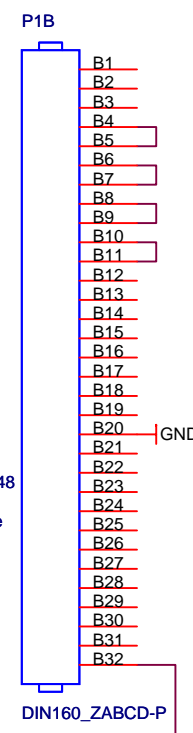
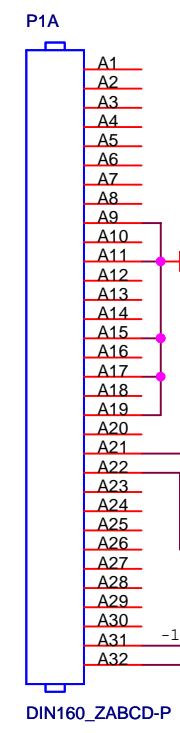
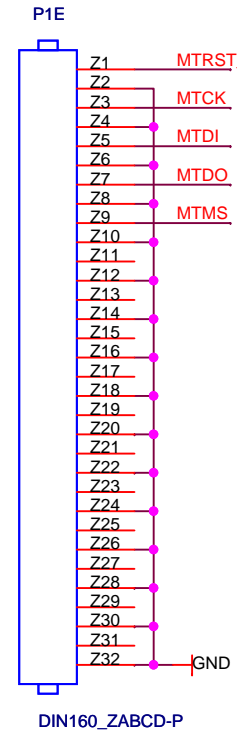
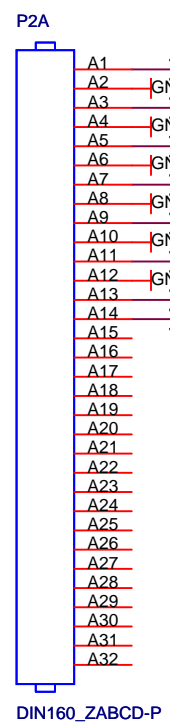
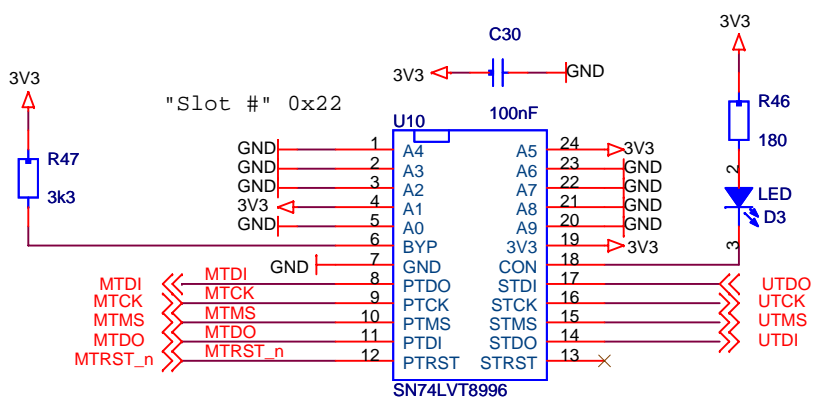
- FC-01
- FC-02
- FC-04
- FC-06
- FC-08
- FC-10
- FC-12
- FC-14



Thei Wijnen		
Title MTM Bus drivers		
Size A4	Document Number MROD-Remote Configuration and Test	Rev 1
Date: Tuesday, June 20, 2006	Sheet 1	of 6

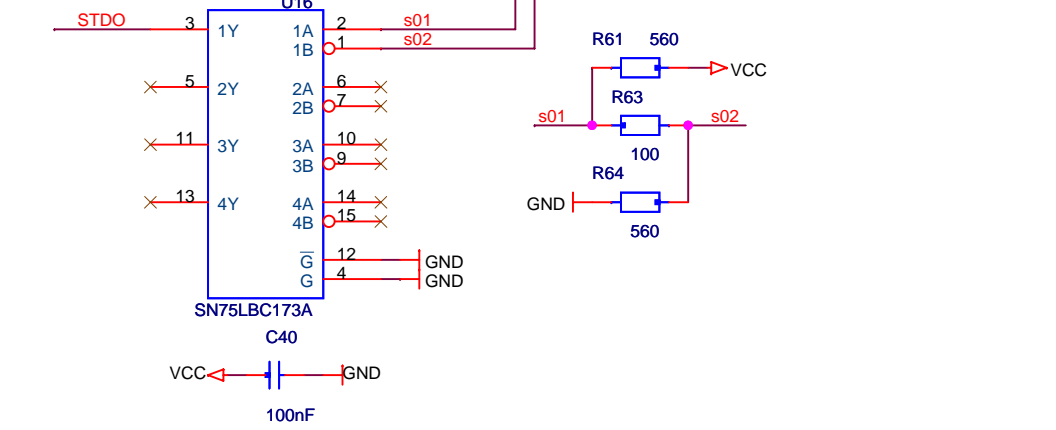
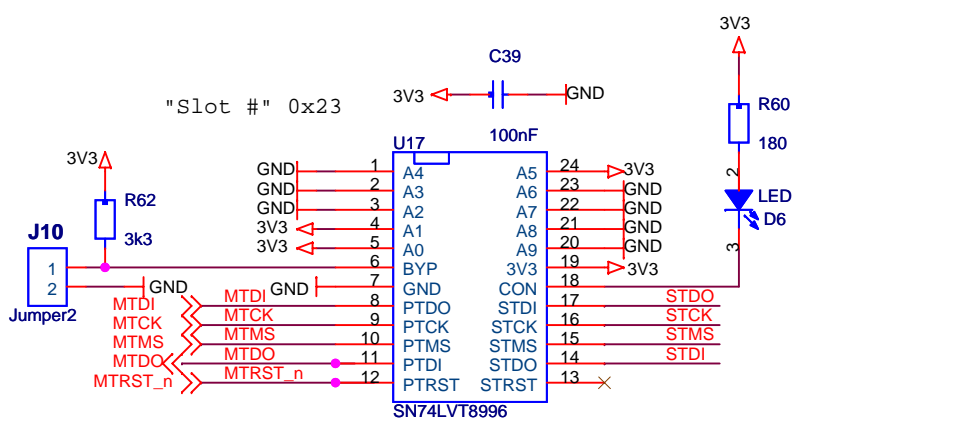
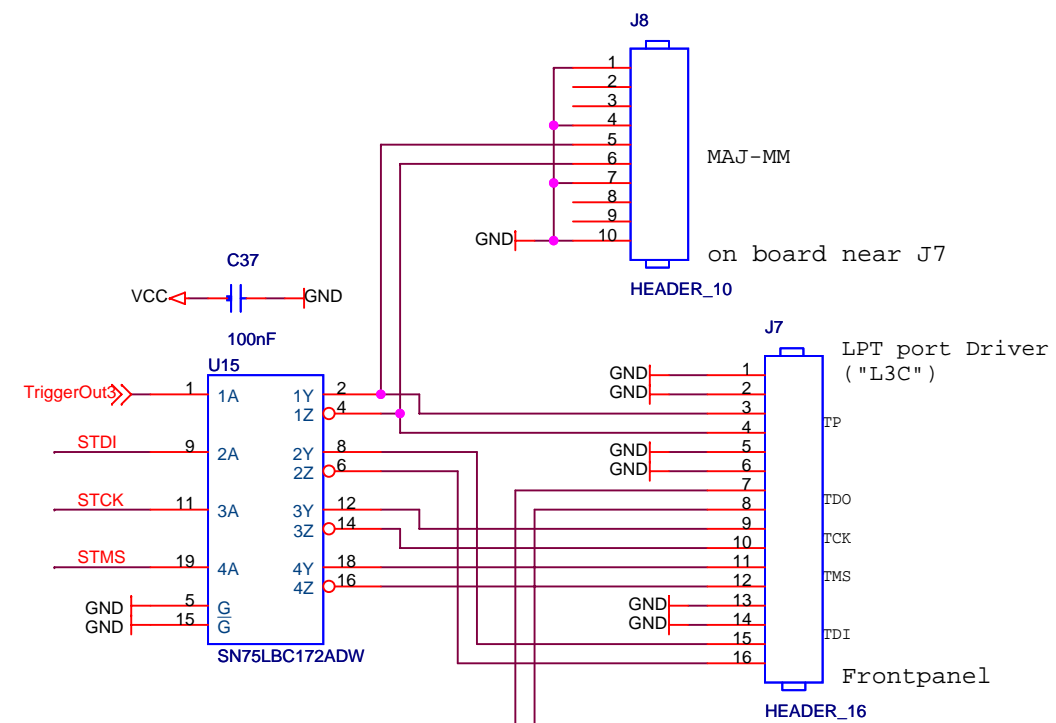
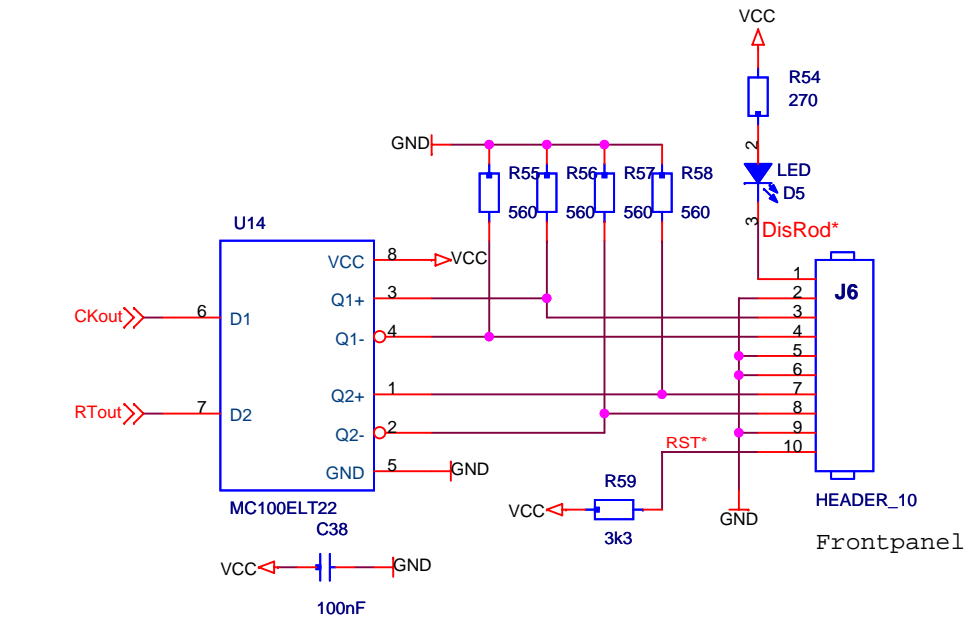


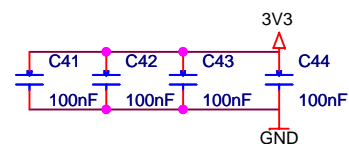
Thei Wijnen		
Title NIM - TTL converters		
Size A4	Document Number MROD-Remote Configuration and Test	Rev 1
Date: Tuesday, February 07, 2006	Sheet 2	of 6



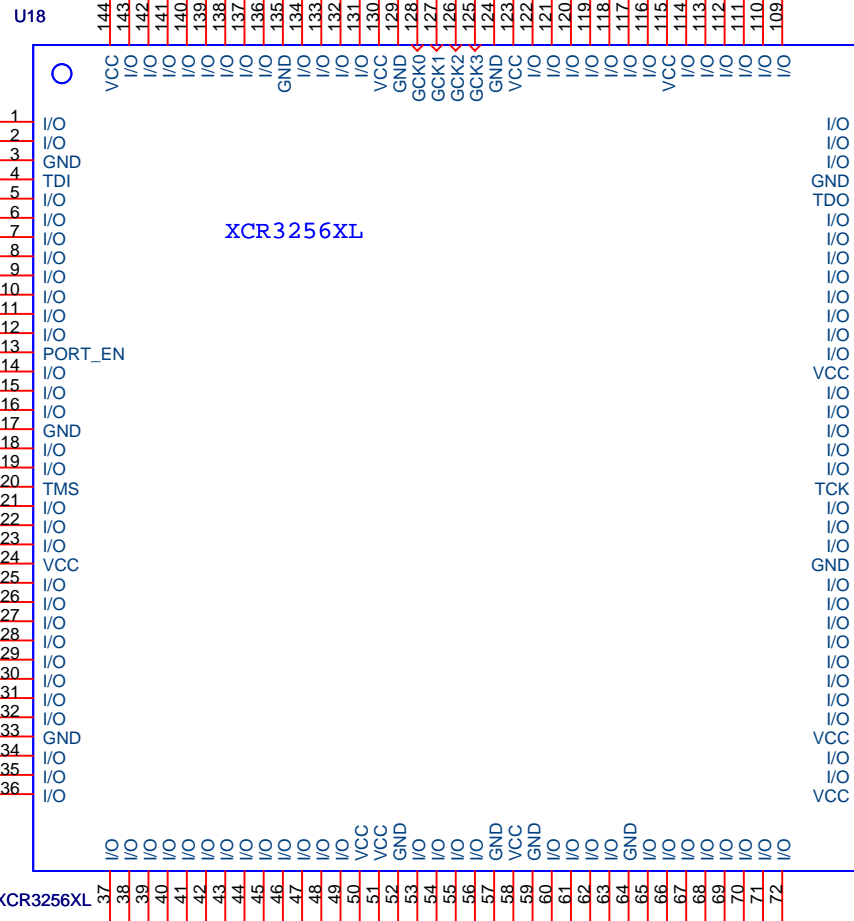
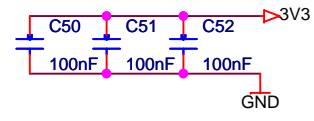
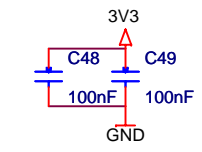
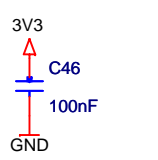
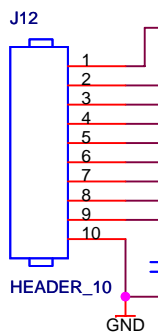
Thei Wijnen

Title		
JTAG for CPLD (program / user)		
Size	Document Number	Rev
A4	MROD-Remote Configuration and Test	1
Date:	Tuesday, February 07, 2006	Sheet 3 of 6

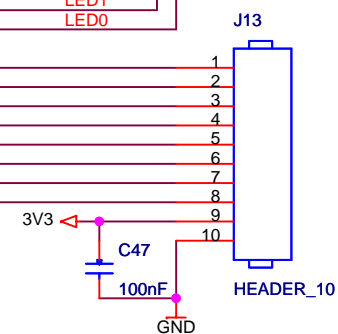
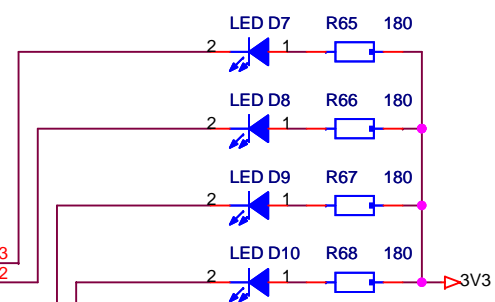




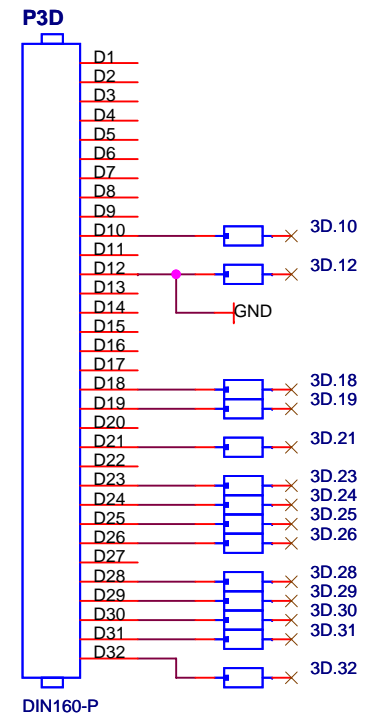
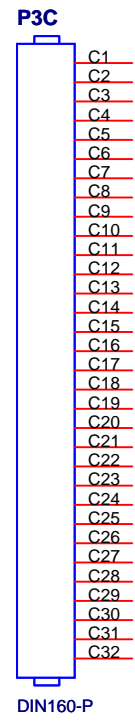
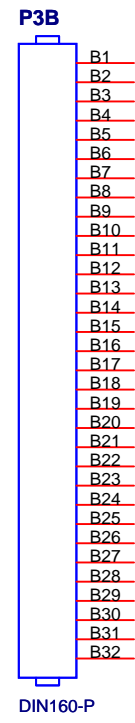
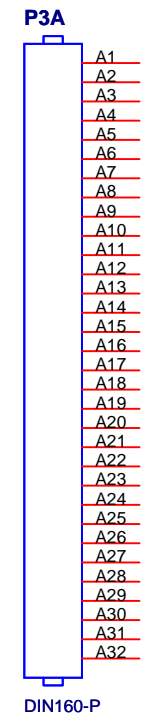
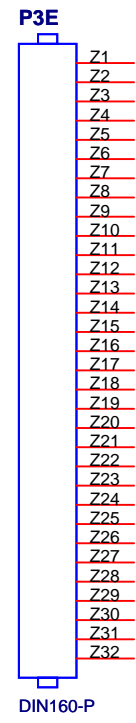
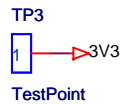
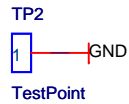
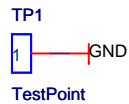
connect 2-3 J14 Jumper3
connect 2-3 J15 Jumper3



UTCK
UTMS
UTDO
UTDI



Thei Wijnen		
Title CPLD		
Size A4	Document Number MROD-Remote Configuration and Test	Rev 1
Date: Tuesday, February 07, 2006	Sheet 5	of 6



Title		
P3		
Size	Document Number	Rev
A4	MROD-Remote Configuration and Test	1
Date:	Tuesday, February 14, 2006	Sheet 6 of 6